

- > **Port size: 1/4" ISO G/NPT**
- > **Provides a continual supply of gas upon depletion of one bank, the other automatically cuts in.**
- > **Compact and robust design**



Technical features

J69 is a compact, lightweight, high purity, high flow, semi-automatic changeover regulator. Designed to provide a continuous flow of gas for applications requiring stored gas supplies. Provides a continual supply of gas upon depletion of one bank, the other automatically cuts in.

Applications:

Provides a continual supply of upon depletion of one bank, the other automatically cuts in.

Medium:

Gases

Maximum inlet pressure:

300 barg (4351 psig)

Outlet pressure range:

0 ... 10 barg (0 ... 145 psig)

1,5 barg offset (22 psig)

Ambient/Media temperature:

NBR:

-10 ... +100°C (+14 ... 212°F)

FPM:

-20 ... +150°C (-4 ... 302°F)

EPDM:

-30 ... +115°C (-22 ... 239°F)

Nitrile (special grade)

-50 ... +80°C (-58 ... 176°F)

Stainless Steel

-50 ... +150°C (-58 ... 302°F)

Materials:

Body: stainless steel BS EN 10088 1.4401

Spring housing: stainless steel BS EN 10088 1.4401

Panel Mount: stainless steel BS EN 10088 1.4401

Remaining Parts: 316 stainless steel

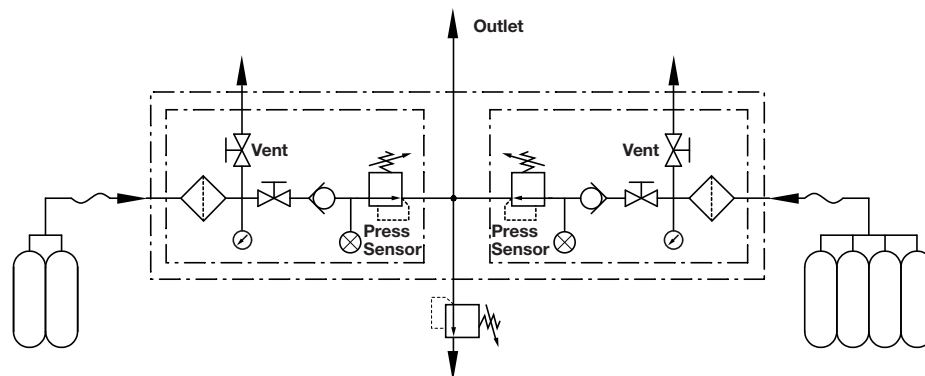
Seat: PCTFE

Elastomers: NBR, FPM, EPDM

Technical data

Port size	Valve seat size (mm)	Valve seat size (inch)	Seat flow area (mm ²)	Seat flow area (inch ²)	Flow coefficient (Kv)	Flow coefficient (Cv)	Model
G1/4	1,6	0,063	0,9	0,0014	0,025	0,03	J69YA10N01
G1/4	2,4	0,094	3,35	0,0052	0,1	0,12	J69ZA10N01

Symbol



Option selector

J69★★★★

Valve seat size	Substitute
1/16"	Y
3/32"	Z
Port size	Substitute
1/4 BSP/G	E1
1/4 NPT	A1

Option	Substitute
Pressure switches	01*
Inlet hoses	02
Elastomer	Substitute
NBR	N
FPM	V
EPDM	E
Nitrile (special grade)	Q

* Please contact our Technical Support for further information.

Option selector spare kits

J69S★★★★

Valve seat size	Substitute
1/16"	Y
3/32"	Z

Options	Substitute
Pressure switches	01
Inlet hoses	02
Elastomers	Substitute
NBR	N
FPM	V
EPDM	E
Nitrile (special grade)	Q

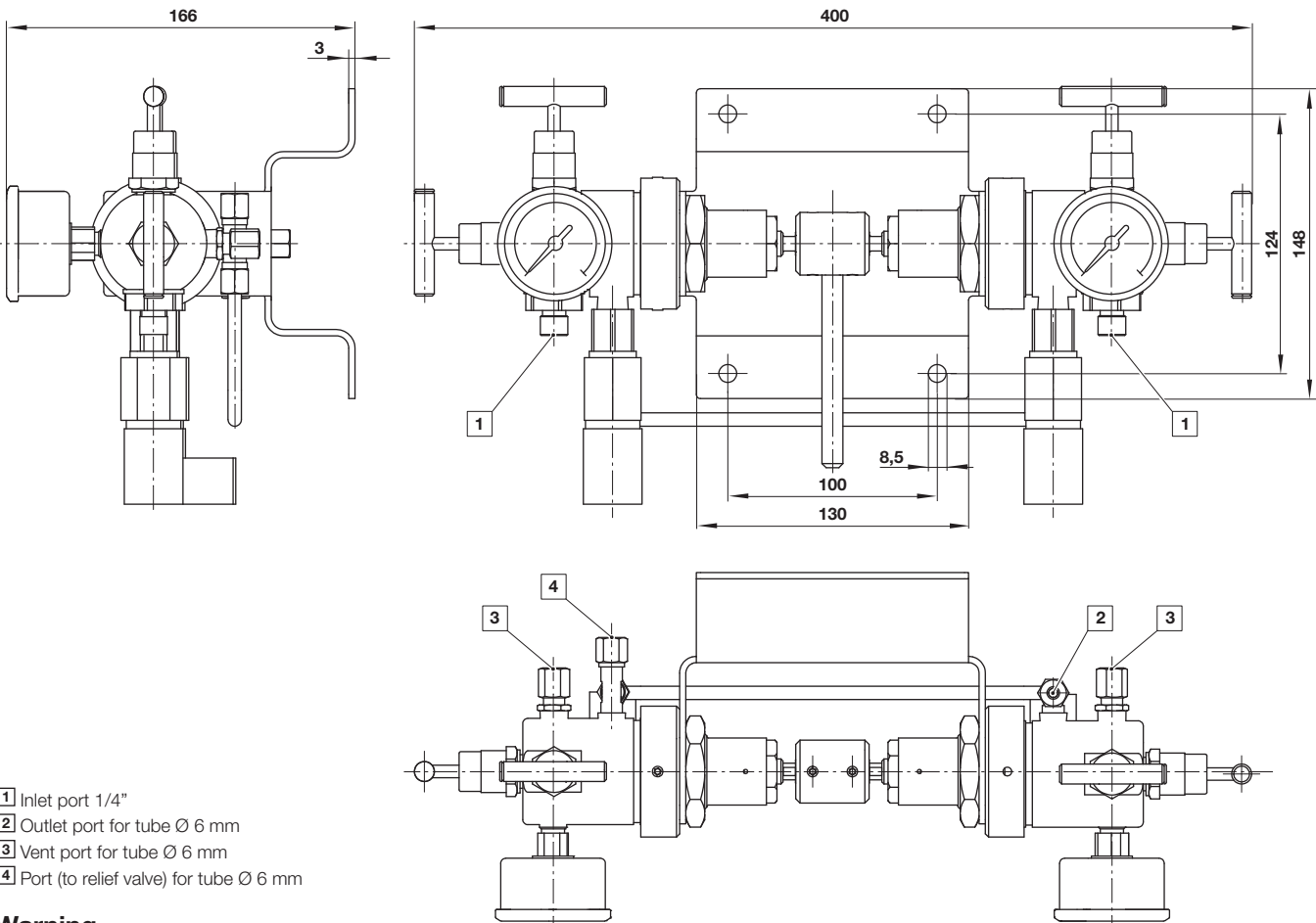
Spares BOM

Description	Material	QTY	1/16"	3/32"
'O'-Ring	Rubber	2	X	X
Valve capsule assy	Various	2	X	X
Diaphragm	Rubber	2	X	X
'O'-Ring	Rubber	4	X	X
Non Return Valve	Stainless steel	2	X	X
Filter 25 Micron	Sintered Brass Mesh	2	X	X

Dimensions

Weight: 5 kg

Dimensions in mm
Projection/First angle



- 1 Inlet port 1/4"
- 2 Outlet port for tube Ø 6 mm
- 3 Vent port for tube Ø 6 mm
- 4 Port (to relief valve) for tube Ø 6 mm

Warning

Do not use these products where pressures and temperatures can exceed those listed under **»Technical features«**.

Before using these products with fluids other than those specified within published specifications, consult IMI Precision Engineering, Thompson Valves Ltd.

Through misuse, age, or malfunction, components used in fluid power systems can fail in various modes.

The system designer is warned to consider the failure modes of all component parts used in fluid power systems and to provide adequate

safeguards to prevent personal injury or damage to equipment in the event of such failure.

System designers must provide a warning to end users in the system instructional manual if protection against a failure mode cannot be adequately provided.

System designers and end users are cautioned to review specific warnings found in instruction sheets packed and shipped with these products.