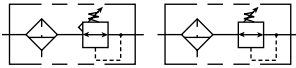
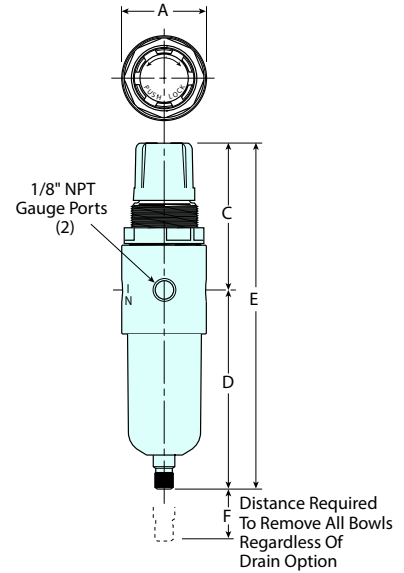


B34 Miniature FRL System



Features

- Excellent water removal efficiency
- Diaphragm operated for fast operation
- Large diaphragm to valve area for precise regulation and high flow capacity
- Balanced valve design for precise regulation
- Space saving package offers both filter and regulator features in one integral unit
- Non-rising adjustment knob
- High flow: 1/8" – 12 SCFM §
1/4" – 12 SCFM §



Port Size	NPT	
	Manual Twist Drain	
Poly Bowl ‡		
1/8"	B344-01AGC	
1/4"	B344-02AGC	
Metal Bowl without Sight Gauge		
1/8"	B344-01DGC	
1/4"	B344-02DGC	

Standard part numbers shown bold.

For other models refer to ordering information below.

NOTE: 1.218 Dia. (31mm) hole required for panel mounting.

‡ For polycarbonate bowl see Caution on page inside cover.

§ SCFM = Standard cubic feet per minute at 100 PSIG inlet, 75 PSIG no flow secondary setting and 25% pressure drop.

B34 Filter / Regulator Dimensions		
A	C	D
1.54 (39.2)	2.68 (68.1)	3.63 (92.1)
E	F	
6.31 (160.2)	1.65 (41.9)	

Inches (mm)

† With Auto Drain

Standard part numbers shown bold.

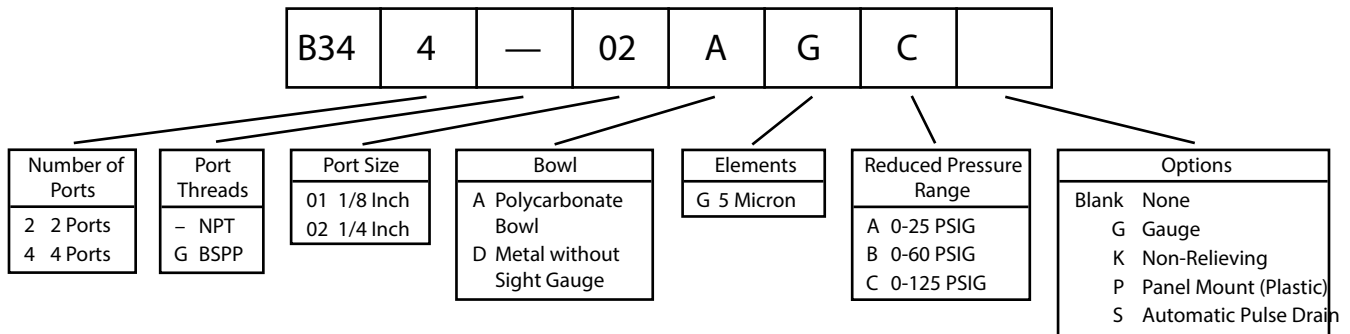
For other models refer to ordering information below.

NOTE: 1.218 Dia. (31mm) hole required for panel mounting.

‡ For polycarbonate bowl see Caution on inside cover.

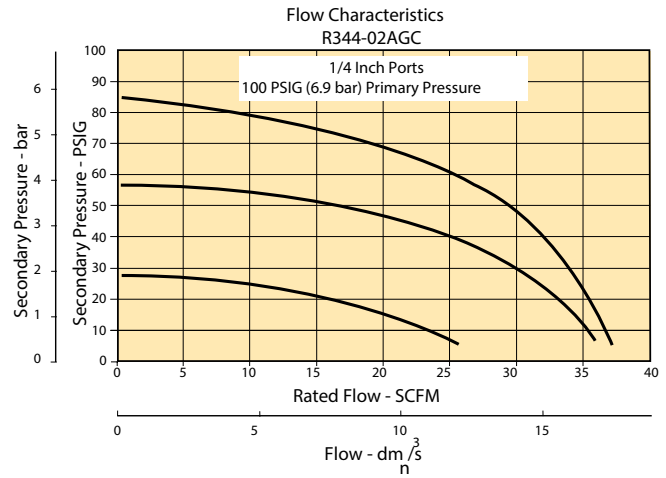
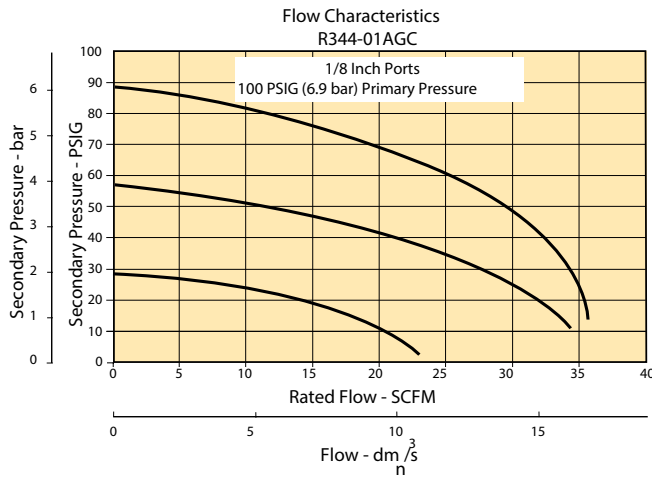
§ SCFM = Standard cubic feet per minute at 100 PSIG inlet, 75 PSIG no flow secondary setting and 25% pressure drop.

Ordering Information



BOLD ITEMS ARE MOST POPULAR.

Technical Information



⚠ WARNING
 Product rupture can cause serious injury.
 Do not connect regulator to bottled gas.
 Do not exceed maximum primary pressure rating.

⚠ CAUTION:
REGULATOR PRESSURE ADJUSTMENT – The working range of knob adjustment is designed to permit outlet pressures within their full range. Pressure adjustment beyond this range is also possible because the knob is not a limiting device. This is a common characteristic of most industrial regulators, and limiting devices may be obtained only by special design. For best performance, regulated pressure should always be set by increasing the pressure up to the desired setting.

B34 Filter / Regulator Kits & Accessories

- Adjusting Knob RRP-16-005-000
- Bowl Kits –
 - Zinc (D) BK505Y
 - Zinc with Automatic Pulse Drain (D) BK505SY
 - Polycarbonate (A) BK504Y
 - Polycarbonate with Automatic Pulse Drain (A) BK504SY
- Drain Kits –
 - Automatic Pulse Drain
 (Maximum Pressure = 175 PSIG) RK504SY
- Filter Element Kits –
 - 5 Micron (All) FRP-96-729
- Gauges –
 - 1-1/2" Dial Size, 1/8" Back Connection
 0 to 60 PSIG (0 to 400 kPa) K4515N18060
 - 1-1/2" Dial Size, 1/8" Back Connection
 0 to 160 PSIG (0 to 1100 kPa) K4515N18160
- Mounting Bracket Kit (Includes Plastic Panel Nut) SA161X57
- Panel Mount Nut –
 - Plastic R05X51-P
 - Aluminum R05X51-A
- Repair Kits –
 - Non-Relieving Diaphragm, Valve Assembly (All) GRP-96-726
 - Relieving Diaphragm, Valve Assembly (All) GRP-96-725
- Springs –
 - 0-25 GRP-95-111
 - 0-60 GRP-96-718
 - 0-125 GRP-96-717

Specifications

- Bowl Capacity 1 Ounce
- Gauge Ports (2) 1/8 Inch
- Maximum Pressure –
 - Zinc Bowl (D) 0 to 300 PSIG
 - Polycarbonate Bowl (A) 0 to 150 PSIG
- Reduced Pressure Range –
 - 0 to 25 PSIG (0 to 1.7 bar) (A)
 - 0 to 60 PSIG (0 to 4.1 bar) (B)
 - 2 to 125 PSIG (0.15 to 8.5 bar) (C)
- Temperature Rating 40°F to 125°F (4.4°C to 52°C)
- Port Threads 1/8 & 1/4 Inch
- Weight –
 - Zinc Bowl (D) 0.6 lb. (0.27 kg) / Unit
 12 lb. (5.44 kg) / 24-Unit Master Pack
 - Polycarbonate Bowl (A) 0.3 lb. (0.14 kg) / Unit
 6 lb. (2.72 kg) / 24-Unit Master Pack

Materials of Construction

- Adjusting Knob Acetal
- Body Aluminum
- Bowls –
 - Polycarbonate (A) Polycarbonate
 - Metal (D) Zinc
 Zinc with Automatic Pulse Drain
- Elastomers Buna N
- Filter Element Sintered Polyethylene
- Filter Retainer, Vane Plate Acetal
- Internal Valve, Diaphragm, Button, Drain Brass