

## Olympian Plus plug-in system

Boxed sets and combination units  
Filter/regulators and lubricators  
G 1/4 up to G 1 1/2

Complete air processing units pre-assembled, ready to install  
Boxed sets include:  
Filter/regulator and micro-fog lubricator complete with exhausting shut-off valve, pressure gauge and mounting brackets  
Also available:  
Filter-regulator and micro-fog lubricator combinations



## Description

Medium: compressed air only  
Maximum inlet pressure: 17 bar  
Ambient temperature: -20 °C up to +80 °C

Consult our Technical Services for use below +2 °C

Pressure range: BL64: 0.3 - 10 bar  
BL68: 0.4 - 8 bar  
Gauge ports: RC 1/8

## Material

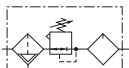
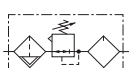
BL64  
Body and yoke: zinc alloy  
Bowl: aluminium  
Element: sintered plastic  
Elastomers: synthetic rubber

BL68  
Body & bowl: aluminium  
Filter element: sintered bronze or plastic  
Elastomers: synthetic rubber

## Alternative models

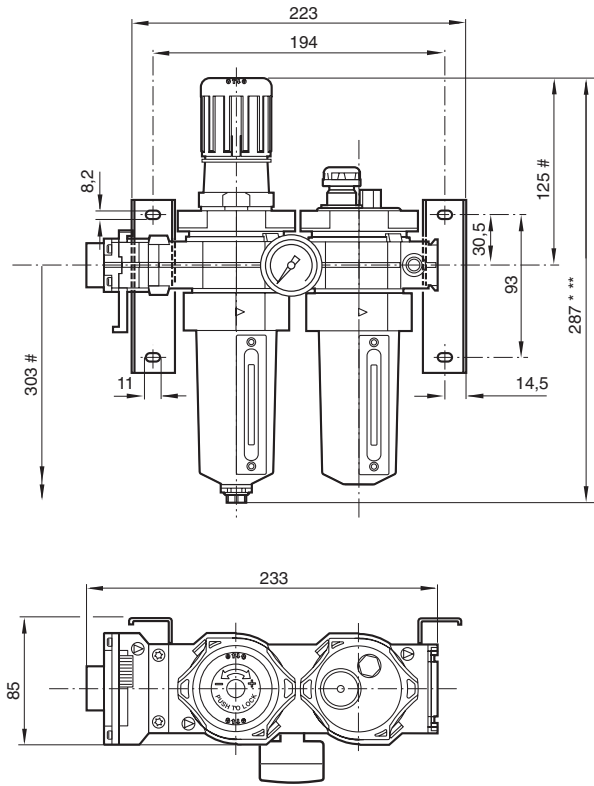
Other products and combinations as well as a range of accessories are available.  
Contact our Technical Services

## Technical data

Image	Connection size G	Element µm	Bowls	Operating pressure bar*	Weight kg	Operation	Model	
							Auto	Manual
<b>Boxed sets</b>								
	1/2	40	Metal	0.3 - 10	4.15	Relieving	BL64-401	BL64-421
	1	40	Metal	0.4 - 8	5.99	Relieving	BL68-801	BL68-821
<b>Filter/regulator and lubricator combinations</b>								
	1/4	40	Metal	0.3 - 10	3.19	Relieving	BL64-208	BL64-228
	3/8	40	Metal	0.3 - 10	3.19	Relieving	BL64-308	BL64-328
	1/2	40	Metal	0.3 - 10	2.73	Relieving	BL64-408	BL64-428
	3/4	40	Metal	0.3 - 10	3.56	Relieving	BL64-608	BL64-628
	3/4	40	Metal	0.4 - 8	4.94	Relieving	BL68-608	BL68-628
	1	40	Metal	0.4 - 8	5.26	Relieving	BL68-808	BL68-828
	1 1/4	40	Metal	0.4 - 8	6.50	Relieving	BL68-A08	BL68-A28
	1 1/2	40	Metal	0.4 - 8	6.05	Relieving	BL68-B08	BL68-B28

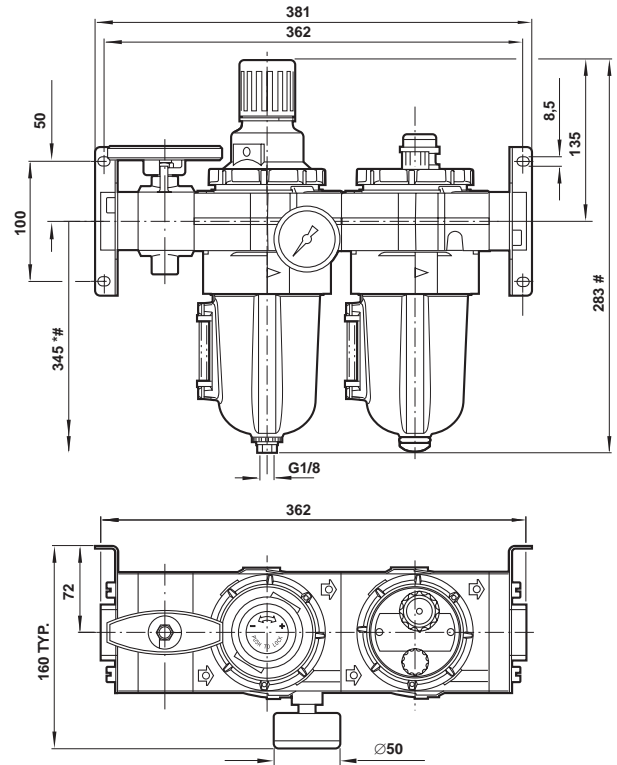
## Boxed sets

### BL64-401



- \* Minimum clearance required to remove bowl
- \*\* Automatic
- # Reduces by 4 mm with knob in locked position, weight: 3.58 kg


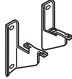

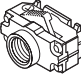


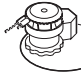
### BL68-801



- \* Minimum clearance required to remove bowl
- # Reduces by 4 mm with knob in locked position, weight: 6.69 kg

See also our Olympian Plus duplex system specifically designed for use in process plant, on main machinery installations and other equipment in continuous use where not even the shortest interruption of services is permissible

## Accessories

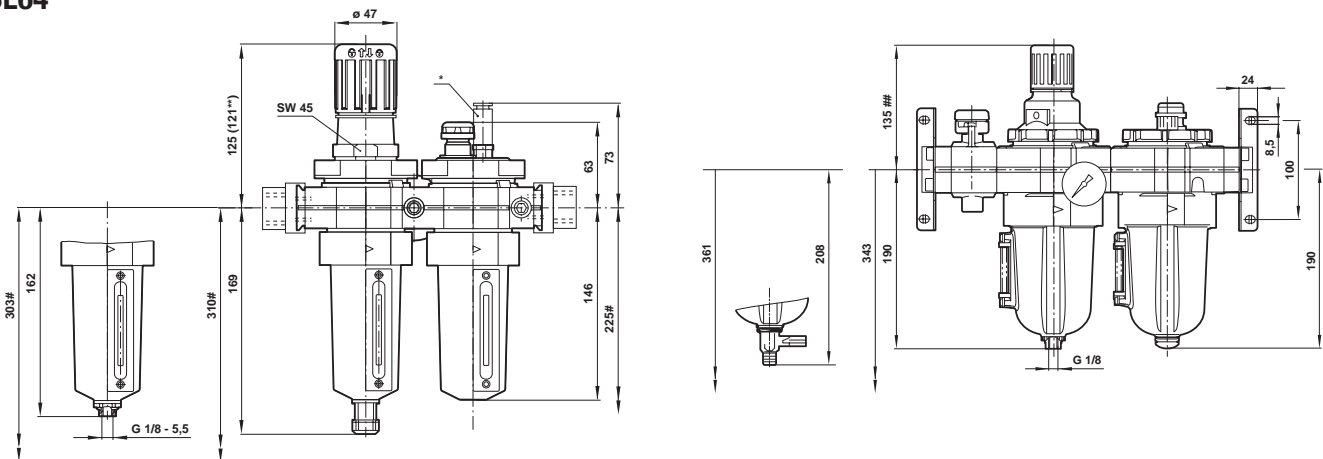
Series	Connection size G	Bracket kit	Bracket kit	Gauge 0 - 10 bar*	3/2 Shut-off valve	Tamper resistant kit	Quick fill nipple	Tamper resistant wire
								
BL64-401	G 1/2	-	**	**	**	4355-50	18-011-024	2117-01
BL68-801	G 1	**	-	**	**	4355-50	18-011-021	2117-01
BL64-208	G 1/4		74504-50	18-013-013	T64T-2GB-P1N	4355-50	18-011-024	2117-01
BL64-308	G 3/8		74504-50	18-013-013	T64T-3GB-P1N	4355-50	18-011-024	2117-01
BL64-408	G 1/2		74504-50	18-013-013	T64T-4GB-P1N	4355-50	18-011-024	2117-01
BL64-608	G 3/4		74504-50	18-013-013	T64T-6GB-P1N	4355-50	18-011-024	2117-01
BL68-608	G 3/4	18-001-979	18-013-013	T68C-6GB-B2N	4355-50	18-011-021	2117-01	
BL68-808	G 1	18-001-979	18-013-013	T68H-8GB-B2N	4355-50	18-011-021	2117-01	
BL68-A08	G 1 1/4	18-001-978	18-013-013	T68H-AGB-B2N	4355-50	18-011-021	2117-01	
BL68-B08	G 1 1/2		18-013-013	T68H-BGB-B2N	4355-50	18-011-021	2117-01	

\* Other pressure ranges available – please contact our technical services

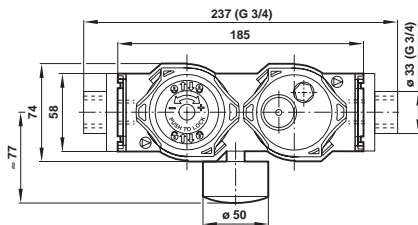
\*\* Included

## Filter/regulator and lubricator combinations

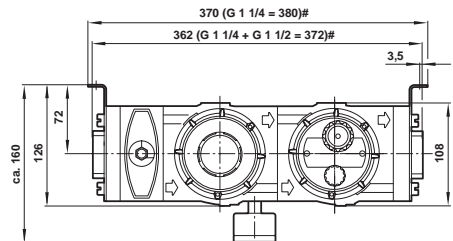
### BL64



### Auto drain



### Manual drain



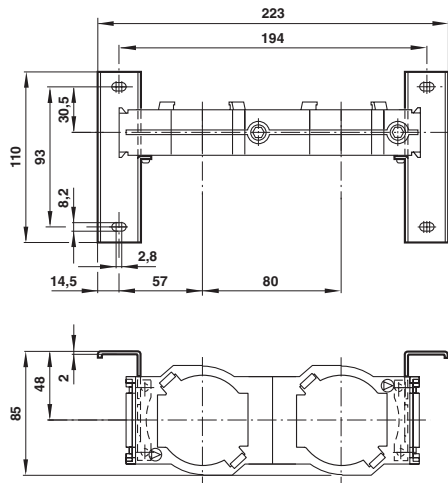
\* Optional quick fill connector

\*\* Knob in locked position

# Minimum clearance required to remove bowl

# Minimum clearance required to remove bowl

## BL64 bracket mounting



## BL68 bracket mounting

