



# *Double Block and Bleed Flanged Products*

*Catalog 4190-FP  
November 2005*









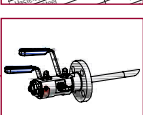
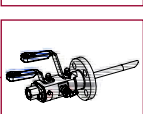


## Introduction

Parker Hannifin's response to the demand for reduction in leakage paths has been the combination of primary and secondary valves into one compact unit. The combining of piping and instrument valves into a single unit has benefitted various markets.

Parker Hannifin can offer the unique combination of double block and bleed valve systems together with integral fittings, both being designed and produced by one company. Selection of this combination results in the elimination of taper thread connections and the need for thread sealant. For more information on leak path reductions and how to combine connections and valves into one unit, please contact us.

## Contents

<p><b>Page 2</b> Introduction.</p>																																																																																																																																																																																																			
<p><b>Page 3</b> Application illustrations.</p>																																																																																																																																																																																																			
<p><b>Page 4</b> Ball valve specification.</p>																																																																																																																																																																																																			
<p><b>Page 5</b> Outside screw and yoke (O.S.&amp;Y.) valve specification.</p>																																																																																																																																																																																																			
<p><b>Page 6</b> Globe style needle valve specification.</p>																																																																																																																																																																																																			
<p><b>Page 7</b> Bolted bonnet.</p>																																																																																																																																																																																																			
<p><b>Page 8/11</b> Monoflange (MF) manifolds.</p>																																																																																																																																																																																																			
<p><b>Page 12/15</b> Pro-Bloc® (PB) manifolds.</p>																																																																																																																																																																																																			
<p><b>Page 16</b> Other flange detail options.</p>	<table border="1"> <thead> <tr> <th>Material</th> <th>Material part number</th> </tr> </thead> <tbody> <tr> <td>316</td> <td>5</td> </tr> <tr> <td>304</td> <td>6</td> </tr> <tr> <td>304L</td> <td>7</td> </tr> <tr> <td>309</td> <td>8</td> </tr> <tr> <td>310</td> <td>9</td> </tr> <tr> <td>316L</td> <td>10</td> </tr> <tr> <td>321</td> <td>11</td> </tr> <tr> <td>304H</td> <td>12</td> </tr> <tr> <td>304LN</td> <td>13</td> </tr> <tr> <td>304LN</td> <td>14</td> </tr> <tr> <td>304LN</td> <td>15</td> </tr> <tr> <td>304LN</td> <td>16</td> </tr> <tr> <td>304LN</td> <td>17</td> </tr> <tr> <td>304LN</td> <td>18</td> </tr> <tr> <td>304LN</td> <td>19</td> </tr> <tr> <td>304LN</td> <td>20</td> </tr> <tr> <td>304LN</td> <td>21</td> </tr> <tr> <td>304LN</td> <td>22</td> </tr> <tr> <td>304LN</td> <td>23</td> </tr> <tr> <td>304LN</td> <td>24</td> </tr> <tr> <td>304LN</td> <td>25</td> </tr> <tr> <td>304LN</td> <td>26</td> </tr> <tr> <td>304LN</td> <td>27</td> </tr> <tr> <td>304LN</td> <td>28</td> </tr> <tr> <td>304LN</td> <td>29</td> </tr> <tr> <td>304LN</td> <td>30</td> </tr> <tr> <td>304LN</td> <td>31</td> </tr> <tr> <td>304LN</td> <td>32</td> </tr> <tr> <td>304LN</td> <td>33</td> </tr> <tr> <td>304LN</td> <td>34</td> </tr> <tr> <td>304LN</td> <td>35</td> </tr> <tr> <td>304LN</td> <td>36</td> </tr> <tr> <td>304LN</td> <td>37</td> </tr> <tr> <td>304LN</td> <td>38</td> </tr> <tr> <td>304LN</td> <td>39</td> </tr> <tr> <td>304LN</td> <td>40</td> </tr> <tr> <td>304LN</td> <td>41</td> </tr> <tr> <td>304LN</td> <td>42</td> </tr> <tr> <td>304LN</td> <td>43</td> </tr> <tr> <td>304LN</td> <td>44</td> </tr> <tr> <td>304LN</td> <td>45</td> </tr> <tr> <td>304LN</td> <td>46</td> </tr> <tr> <td>304LN</td> <td>47</td> </tr> <tr> <td>304LN</td> <td>48</td> </tr> <tr> <td>304LN</td> <td>49</td> </tr> <tr> <td>304LN</td> <td>50</td> </tr> <tr> <td>304LN</td> <td>51</td> </tr> <tr> <td>304LN</td> <td>52</td> </tr> <tr> <td>304LN</td> <td>53</td> </tr> <tr> <td>304LN</td> <td>54</td> </tr> <tr> <td>304LN</td> <td>55</td> </tr> <tr> <td>304LN</td> <td>56</td> </tr> <tr> <td>304LN</td> <td>57</td> </tr> <tr> <td>304LN</td> <td>58</td> </tr> <tr> <td>304LN</td> <td>59</td> </tr> <tr> <td>304LN</td> <td>60</td> </tr> <tr> <td>304LN</td> <td>61</td> </tr> <tr> <td>304LN</td> <td>62</td> </tr> <tr> <td>304LN</td> <td>63</td> </tr> <tr> <td>304LN</td> <td>64</td> </tr> <tr> <td>304LN</td> <td>65</td> </tr> <tr> <td>304LN</td> <td>66</td> </tr> <tr> <td>304LN</td> <td>67</td> </tr> <tr> <td>304LN</td> <td>68</td> </tr> <tr> <td>304LN</td> <td>69</td> </tr> <tr> <td>304LN</td> <td>70</td> </tr> <tr> <td>304LN</td> <td>71</td> </tr> <tr> <td>304LN</td> <td>72</td> </tr> <tr> <td>304LN</td> <td>73</td> </tr> <tr> <td>304LN</td> <td>74</td> </tr> <tr> <td>304LN</td> <td>75</td> </tr> <tr> <td>304LN</td> <td>76</td> </tr> <tr> <td>304LN</td> <td>77</td> </tr> <tr> <td>304LN</td> <td>78</td> </tr> <tr> <td>304LN</td> <td>79</td> </tr> <tr> <td>304LN</td> <td>80</td> </tr> <tr> <td>304LN</td> <td>81</td> </tr> <tr> <td>304LN</td> <td>82</td> </tr> <tr> <td>304LN</td> <td>83</td> </tr> <tr> <td>304LN</td> <td>84</td> </tr> <tr> <td>304LN</td> <td>85</td> </tr> <tr> <td>304LN</td> <td>86</td> </tr> <tr> <td>304LN</td> <td>87</td> </tr> <tr> <td>304LN</td> <td>88</td> </tr> <tr> <td>304LN</td> <td>89</td> </tr> <tr> <td>304LN</td> <td>90</td> </tr> <tr> <td>304LN</td> <td>91</td> </tr> <tr> <td>304LN</td> <td>92</td> </tr> <tr> <td>304LN</td> <td>93</td> </tr> <tr> <td>304LN</td> <td>94</td> </tr> <tr> <td>304LN</td> <td>95</td> </tr> <tr> <td>304LN</td> <td>96</td> </tr> <tr> <td>304LN</td> <td>97</td> </tr> <tr> <td>304LN</td> <td>98</td> </tr> <tr> <td>304LN</td> <td>99</td> </tr> <tr> <td>304LN</td> <td>100</td> </tr> </tbody> </table>	Material	Material part number	316	5	304	6	304L	7	309	8	310	9	316L	10	321	11	304H	12	304LN	13	304LN	14	304LN	15	304LN	16	304LN	17	304LN	18	304LN	19	304LN	20	304LN	21	304LN	22	304LN	23	304LN	24	304LN	25	304LN	26	304LN	27	304LN	28	304LN	29	304LN	30	304LN	31	304LN	32	304LN	33	304LN	34	304LN	35	304LN	36	304LN	37	304LN	38	304LN	39	304LN	40	304LN	41	304LN	42	304LN	43	304LN	44	304LN	45	304LN	46	304LN	47	304LN	48	304LN	49	304LN	50	304LN	51	304LN	52	304LN	53	304LN	54	304LN	55	304LN	56	304LN	57	304LN	58	304LN	59	304LN	60	304LN	61	304LN	62	304LN	63	304LN	64	304LN	65	304LN	66	304LN	67	304LN	68	304LN	69	304LN	70	304LN	71	304LN	72	304LN	73	304LN	74	304LN	75	304LN	76	304LN	77	304LN	78	304LN	79	304LN	80	304LN	81	304LN	82	304LN	83	304LN	84	304LN	85	304LN	86	304LN	87	304LN	88	304LN	89	304LN	90	304LN	91	304LN	92	304LN	93	304LN	94	304LN	95	304LN	96	304LN	97	304LN	98	304LN	99	304LN	100
Material	Material part number																																																																																																																																																																																																		
316	5																																																																																																																																																																																																		
304	6																																																																																																																																																																																																		
304L	7																																																																																																																																																																																																		
309	8																																																																																																																																																																																																		
310	9																																																																																																																																																																																																		
316L	10																																																																																																																																																																																																		
321	11																																																																																																																																																																																																		
304H	12																																																																																																																																																																																																		
304LN	13																																																																																																																																																																																																		
304LN	14																																																																																																																																																																																																		
304LN	15																																																																																																																																																																																																		
304LN	16																																																																																																																																																																																																		
304LN	17																																																																																																																																																																																																		
304LN	18																																																																																																																																																																																																		
304LN	19																																																																																																																																																																																																		
304LN	20																																																																																																																																																																																																		
304LN	21																																																																																																																																																																																																		
304LN	22																																																																																																																																																																																																		
304LN	23																																																																																																																																																																																																		
304LN	24																																																																																																																																																																																																		
304LN	25																																																																																																																																																																																																		
304LN	26																																																																																																																																																																																																		
304LN	27																																																																																																																																																																																																		
304LN	28																																																																																																																																																																																																		
304LN	29																																																																																																																																																																																																		
304LN	30																																																																																																																																																																																																		
304LN	31																																																																																																																																																																																																		
304LN	32																																																																																																																																																																																																		
304LN	33																																																																																																																																																																																																		
304LN	34																																																																																																																																																																																																		
304LN	35																																																																																																																																																																																																		
304LN	36																																																																																																																																																																																																		
304LN	37																																																																																																																																																																																																		
304LN	38																																																																																																																																																																																																		
304LN	39																																																																																																																																																																																																		
304LN	40																																																																																																																																																																																																		
304LN	41																																																																																																																																																																																																		
304LN	42																																																																																																																																																																																																		
304LN	43																																																																																																																																																																																																		
304LN	44																																																																																																																																																																																																		
304LN	45																																																																																																																																																																																																		
304LN	46																																																																																																																																																																																																		
304LN	47																																																																																																																																																																																																		
304LN	48																																																																																																																																																																																																		
304LN	49																																																																																																																																																																																																		
304LN	50																																																																																																																																																																																																		
304LN	51																																																																																																																																																																																																		
304LN	52																																																																																																																																																																																																		
304LN	53																																																																																																																																																																																																		
304LN	54																																																																																																																																																																																																		
304LN	55																																																																																																																																																																																																		
304LN	56																																																																																																																																																																																																		
304LN	57																																																																																																																																																																																																		
304LN	58																																																																																																																																																																																																		
304LN	59																																																																																																																																																																																																		
304LN	60																																																																																																																																																																																																		
304LN	61																																																																																																																																																																																																		
304LN	62																																																																																																																																																																																																		
304LN	63																																																																																																																																																																																																		
304LN	64																																																																																																																																																																																																		
304LN	65																																																																																																																																																																																																		
304LN	66																																																																																																																																																																																																		
304LN	67																																																																																																																																																																																																		
304LN	68																																																																																																																																																																																																		
304LN	69																																																																																																																																																																																																		
304LN	70																																																																																																																																																																																																		
304LN	71																																																																																																																																																																																																		
304LN	72																																																																																																																																																																																																		
304LN	73																																																																																																																																																																																																		
304LN	74																																																																																																																																																																																																		
304LN	75																																																																																																																																																																																																		
304LN	76																																																																																																																																																																																																		
304LN	77																																																																																																																																																																																																		
304LN	78																																																																																																																																																																																																		
304LN	79																																																																																																																																																																																																		
304LN	80																																																																																																																																																																																																		
304LN	81																																																																																																																																																																																																		
304LN	82																																																																																																																																																																																																		
304LN	83																																																																																																																																																																																																		
304LN	84																																																																																																																																																																																																		
304LN	85																																																																																																																																																																																																		
304LN	86																																																																																																																																																																																																		
304LN	87																																																																																																																																																																																																		
304LN	88																																																																																																																																																																																																		
304LN	89																																																																																																																																																																																																		
304LN	90																																																																																																																																																																																																		
304LN	91																																																																																																																																																																																																		
304LN	92																																																																																																																																																																																																		
304LN	93																																																																																																																																																																																																		
304LN	94																																																																																																																																																																																																		
304LN	95																																																																																																																																																																																																		
304LN	96																																																																																																																																																																																																		
304LN	97																																																																																																																																																																																																		
304LN	98																																																																																																																																																																																																		
304LN	99																																																																																																																																																																																																		
304LN	100																																																																																																																																																																																																		
<p><b>Page 17</b> Pro-Bloc® (SPB) for sampling applications.</p>																																																																																																																																																																																																			
<p><b>Page 18</b> Pro-Bloc® (JPB) for injection applications.</p>																																																																																																																																																																																																			

## Primary, secondary and vent valve applications and installations

### Solutions

Parker Hannifin offers the unique solution by incorporating primary and secondary valve systems into one complete block. In addition traditional instrument taper thread connections can be totally eliminated resulting in systems being free of thread sealant contamination.

### Conventional Installation [1]

- A welded flange, connected to a primary ANSI class isolating valve. The primary valve will be connected to a secondary instrument valve. A pressure gauge or transmitter will then be installed downstream of the instrument valve.

### Parker Pro-Bloc® [2]

- A one-piece integral forging incorporating up to 3 ball valves or mixture of ball and needle design.
- Improved safety: leak paths reduced by up to 60%
- Reduced costs: installation and component costs reduced by up to 70%
- Reduced weight: by up to 80%
- Reduced susceptibility to problems caused by vibration.

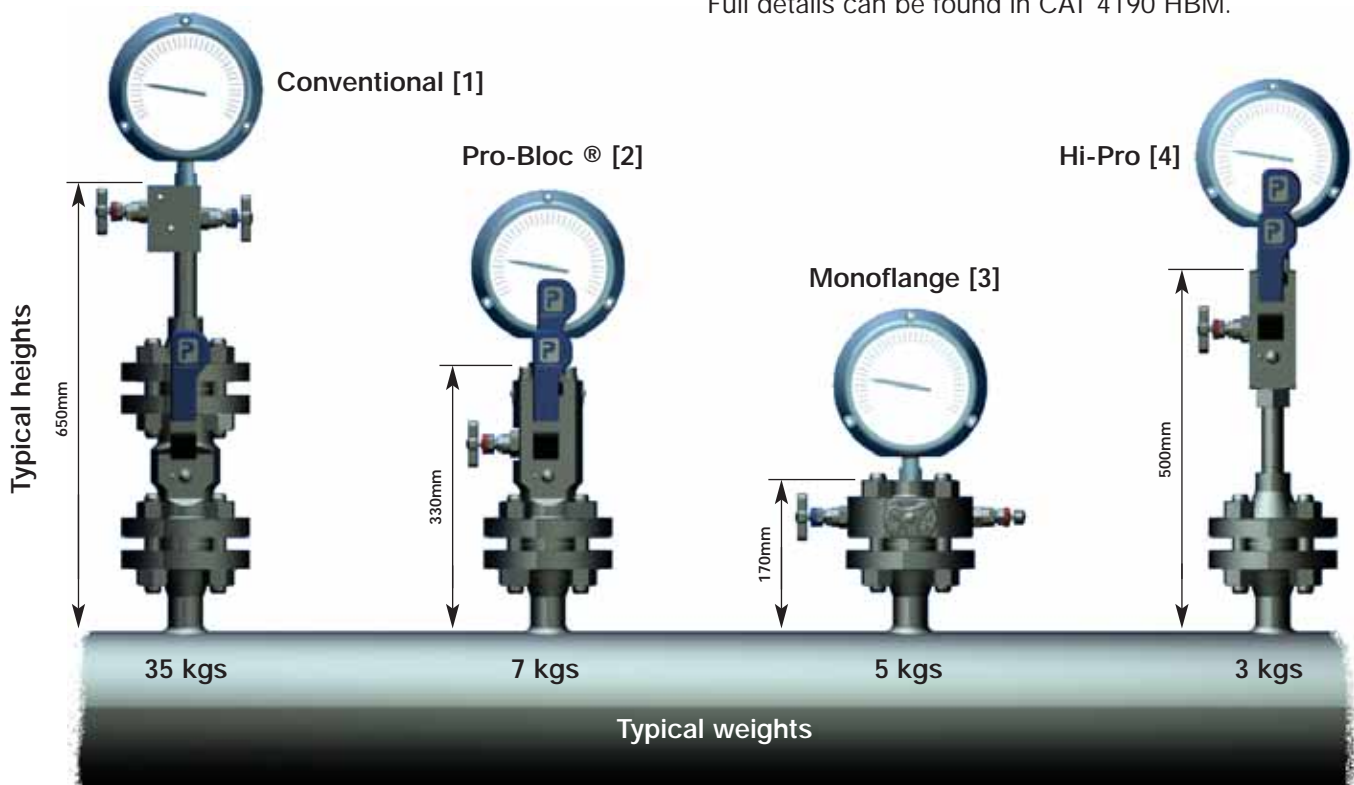
See pages 12-18

### Parker Monoflange [3]

- More compact than Pro-Bloc®, adding further space and weight saving possibilities.
  - Improved safety: leak paths reduced by up to 60%, less susceptibility to vibration
  - Reduced costs: installation and component costs reduced by up to 80%
  - Reduced weight: by up to 85%
- See pages 8-11

### Parker Hi-Pro Manifolds [4]

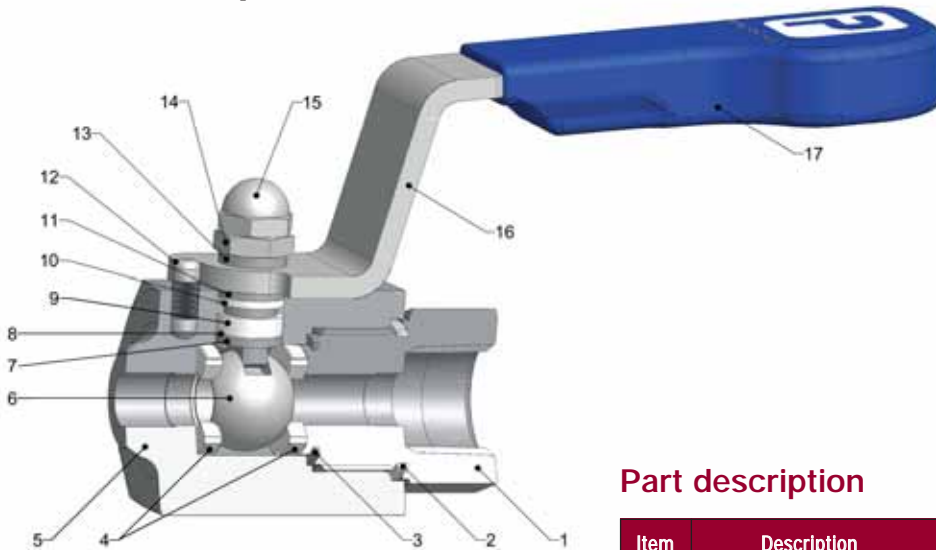
- Enables the user to continue to use traditional NPT threaded connections and at the same time utilise the double block and bleed principals Available in several combinations of ball and needle valves.
- Full details can be found in CAT 4190 HBM.



### Design codes

- All Parker Hannifin Double block and bleed designs comply with the following codes.
- ANSI/ASME B16.34 (Designed to meet the pressure and temperature requirements)
- ANSI/ASME B1.20.1 (Threads)
- ANSI/ASME B16.5 (Dimensions)
- BS6755 PART 2/API 607 (Fire safe designed to meet the requirements and verified by internal testing)

## Ball valve specification



### Specifications

- 316 Stainless steel construction.
- Maximum cold working pressure rating 6,000 psig (414 barg) with P.T.F.E. seats.\*
- Temperature rating PTFE seats -54°C to +204°C (-65°F to +400°F).\*
- Maximum cold working pressure rating 10,000 psig (689 barg) with PEEK seats.\*
- Temperature rating PEEK seats -54°C to +232°C (-65°F to +450°F).\*

\*always refer to P/T graph

### Features

- Two piece body design - minimal leakage paths.
- 4:1 Pressure boundary designed safety factor.
- Designed to comply with requirements of ANSI/ASME B16.34 where applicable.
- Bi-directional.
- PEEK and PTFE standard ball seat materials.
- PTFE and Graphoil gland packings.
- Bubble tight shutoff.
- Floating ball principal with dynamic response seats featuring inherent self relief.
- Anti blowout stem.
- Integral compression ends available eliminating taper threads and thread sealants.
- Low torque operation.
- Quarter turn positive stop handle with ergonomically designed protective sleeve.
- Full hydrostatic and low pressure air tested.
- Connector thread environmentally sealed.
- Anti static.
- Firesafe designed to meet BS6755 Part 2/ API 607, (optional).

### Part description

Item	Description
1	End Connector
2	E-seal™
3	Sealing washer
4	Seats
5	Body
6	Ball
7	Anti blowout stem
8	Thrust Seal
9	Gland packing
10	Upper gland packing
11	Thrust bush
12	Stop pin
13	Thrust bush
14	Lock nut
15	Locking dome nut
16	Handle
17	Handle grip



Handle locking



Optional bolted end connector

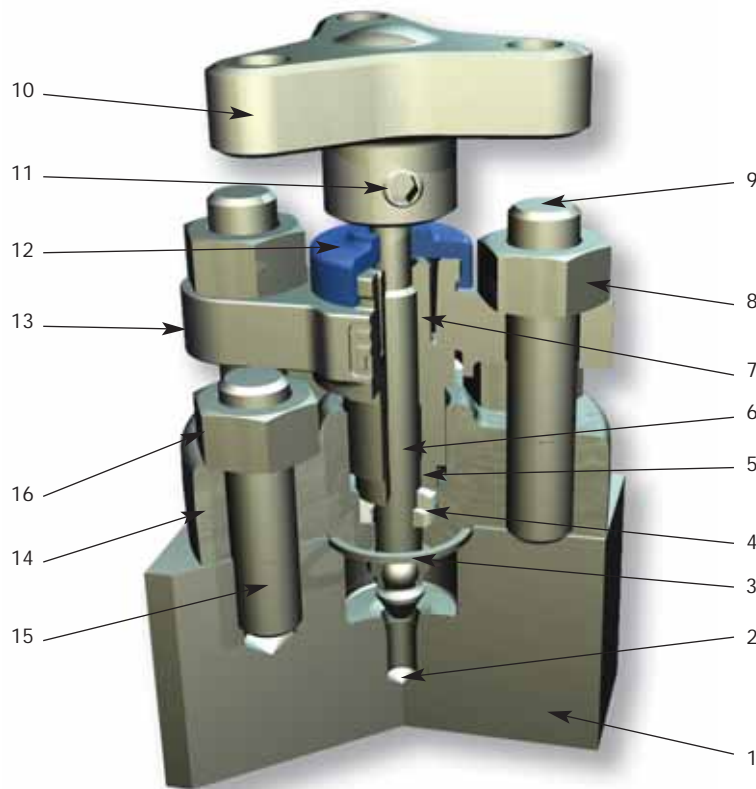


Spanner actuation

### Performance Data Pressure vs temperature

\* See catalogue 4190-HBV Hi-Pro Ball Valve for High Performance Process Isolation.

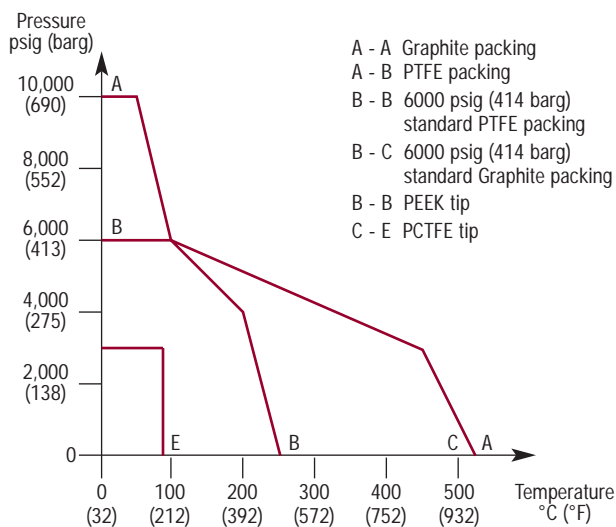
## Outside screw and yoke (O.S.&Y.) needle valve



### Features

- Externally adjustable gland.
- P.T.F.E. or Graphite packing for bubble tight sealing.
- Self centering crimped needle tip for bubble tight shut off and repeatability.
- Available in 316, Monel, Duplex, Super Duplex, Hasteloy, Inconel, Incoloy, 6Mo, Carbon Steel, other materials on application.
- Stainless steel as standard.
- Optional wetted parts in a variety of exotic materials.
- Firesafe certified to BS6755 part 2/ API 607.
- Pressure rating up to 10,000 psig (690 barg).
- Temperature -54°C to 538°C (-65°F to 1000°F).
- Body to bonnet flange gasket for 100% atmospheric seal.
- Back stopped spindle for blow out prevention, and minimum atmospheric leakage.
- Rolled spindle operating threads.
- Independent spindle thread bush with maximum female thread interface.
- Colour coded close contact dust cap and function label for easy identification.
- Optional: NACE compliance, heat code trace certification, oxygen clean.

### Pressure vs temperature

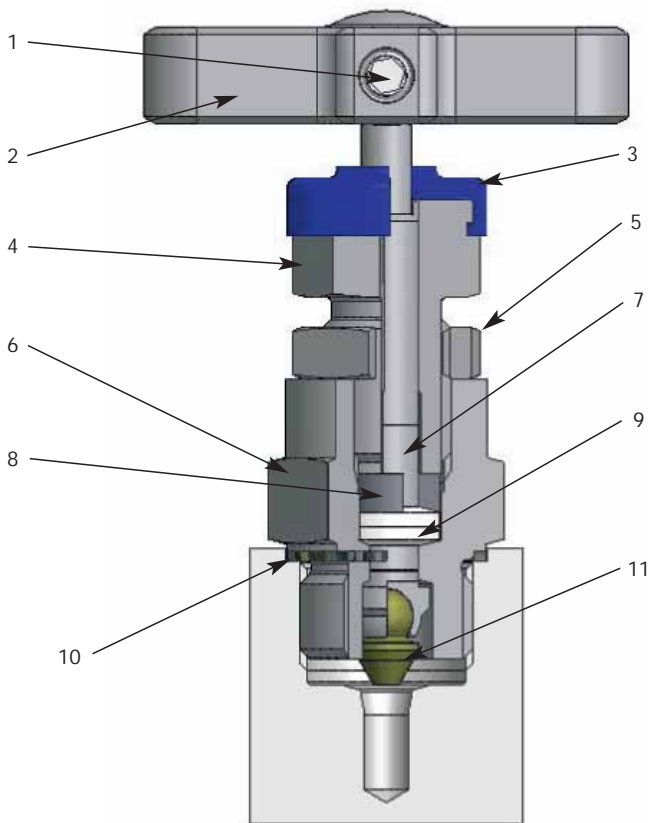


### Part description

Item	Description
1	Body
2	Tip
3	Joint seal
4	Packing
5	Thrust bush
6	Stem
7	Gland adjuster
8	Bridge nuts
9	Bonnet-bridge studding
10	Handle
11	Grub screw
12	Dust cap
13	Bridge
14	Bonnet
15	Body-bonnet studding
16	Stud nuts

⚠ When selecting products for specific applications users should refer to our notice at the bottom of page 19.

## "H" Series globe style needle valve



For safe, reliable and repeatable performance

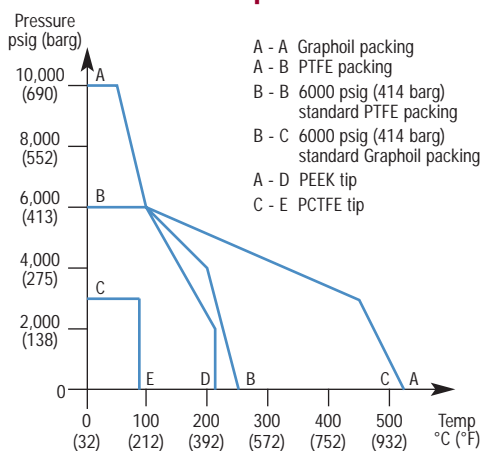
### Part description

Item	Description
1	Positive handle retention
2	"T" bar
3	Dust Cap
4	Gland packing adjuster
5	Gland adjuster lock nut
6	Valve Bonnet
7	Anti blowout spindle
8	Thrust Bush
9	Gland packing (adjustable)
10	Bonnet/body washer
11	Spindle tip

### Features

- Rolled spindle operating threads for low torque operation.
- Gland packing in PTFE or Graphite for bubble tight sealing.
- Colour coded close contact dust cap and function label for easy identification.
- Available in 316L, Monel, Duplex, Super Duplex, Hasteloy, Inconel, Incoloy, 6Mo, Titanium, other materials on application.
- T-bar operating handle for low torque function.
- Self centering crimped needle tip for bubble tight seat sealing.
- Close contact dust cap for operating thread protection.
- Back seated spindle for blow out prevention and minimum atmospheric leakage.
- Adjustable gland with easy access.
- Gland lock nut for vibration protection.
- Pressure rating up to 10,000 psig (690 barg).
- Temperature rating -54°C to -538°C (-65°F to 1000°F)
- Optional bolted bonnet design available, firesafe certified.
- Optional: NACE compliance, heat code trace certification, oxygen clean.

### Pressure vs temperature



⚠ When selecting products for specific applications users should refer to our notice at the bottom of page 19.

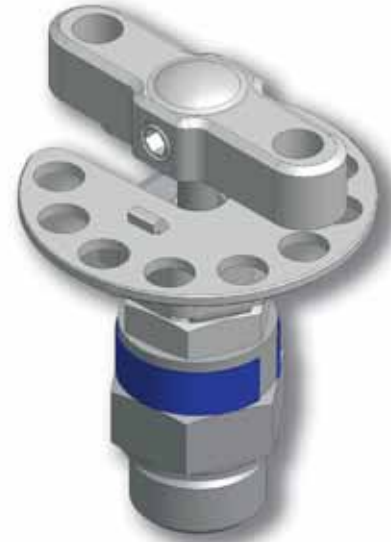
### Anti tamper spindle



For key only - part no. **ATHKEY/1**

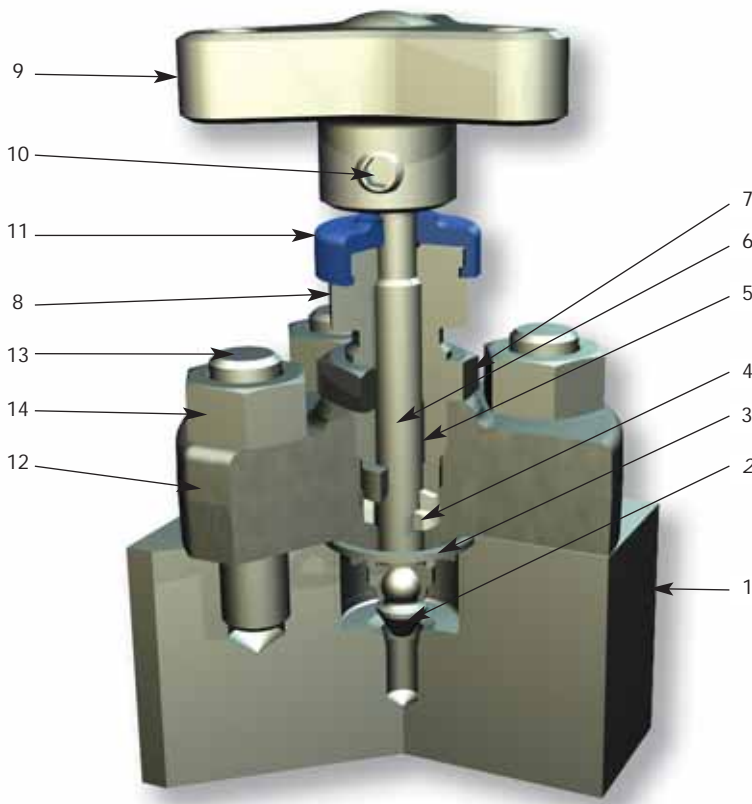
Retro-fit kit part number  
**KITAT** without key  
**KITATK** with key

### T bar handle locking



Retro-fit kit part number **KITTHL**

### Bolted bonnet



#### Part description

Item	Description
1	Body
2	Tip
3	Joint seal
4	Packing
5	Thrust bush
6	Stem
7	Nut
8	Gland adjuster
9	Handle
10	Grub screw
11	Dust cap
12	Bonnet
13	Body-bonnet studding
14	Stud nuts

### Monoflange (MF) manifolds

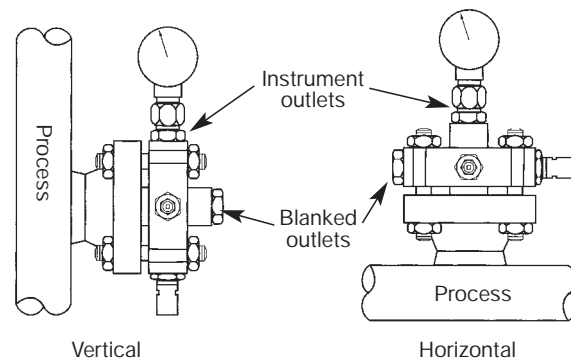
#### Purpose

This manifold range is designed to replace conventional multiple-valve installations currently in use for interface with pressure measuring systems. By combining customer specified valves into a single manifold, the number of leak paths is considerably reduced and the mass of the system is lowered reducing the stresses from loading and vibration. The result of which substantially improves installation and operational safety factors. Reduction in leakage path connections together with a one-piece solution also provides positive installation cost savings.



#### Key advantages of Parker Monoflanges

- Strong construction produced from one piece grain flow controlled forged body.
- Various flow and valve configurations available allowing true flexibility to meet all customer requirements.
- Variety of flange sizes and outlet connections.
- Standard materials of Carbon Steel A105, Low Temperature Carbon Steel A350 LF2, Stainless Steel A182-F316 and Duplex Stainless Steel A182-F51.
- Optional materials include Super Duplex, Monel, Hastelloy, 6Mo, Incoloy 625.
- Incorporation of standard "H" series needle valve technology and state of the art O.S.&Y. design.
- 4mm Needle valve orifice.
- Ergonomically designed operating handles with low torque function.
- Full range of customer retro fit handle options.
- User friendly part number and specification construction system.
- Customised designs welcome.



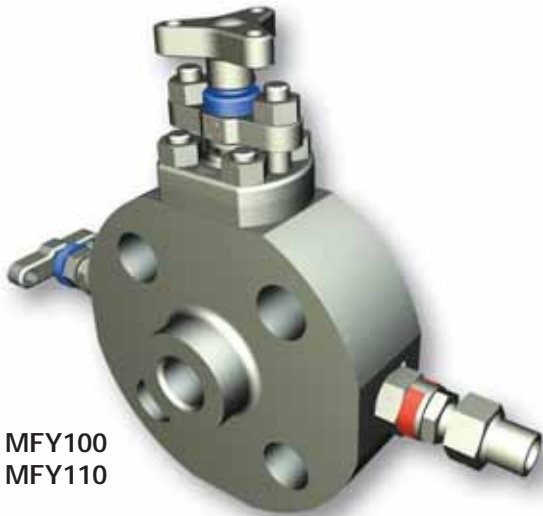
#### Instrument outlet connections

One of the unique features Parker can offer users which can further enhance safety factors is the incorporation of single or twin ferrule compression fittings as an integral part of the outlet connection.

Installation of the instrument which require remote positioning will be interconnected using conventional tube and fittings, whilst NPT taper threads are accepted as a standard their use involves some form of thread sealant which adds to the complication of instrument performance through contamination within the system.

Avoiding these taper thread connections wherever possible reduces this contaminant risk and Parker, being a leading manufacturer of compression type of fittings (which requires no sealant mediums), can incorporate them in the outlet connection, totally eliminating the contamination risk.





MFY100  
MFY110



MFY140



MFH100  
MFH110

## Monoflange features

- 1/2" to 2" N.B. Flanges (15 to 50 DN).
- ANSI B16.5 150 to 2500 flange class and API 10,000.
- 1/2-14 NPT (female) standard outlet.
- 1/4-18 NPT (female) standard vent.
- Variety of optional end connection sizes and thread forms including tube connections 1/2"/12mm diameter.
- Standard materials of construction: Stainless steel ASTM A182 F316/F316L, Carbon steel ASTM A350 LF2/A105, Duplex ASTM A182 F51.
- Optional materials include Super Duplex, Monel, Hastelloy, 6Mo, Incoloy.
- Combined needle and O.S.&Y. valves available.
- Instrument connections A-LOK® inverted available.
- Raised face and ring type joint flange face styles.
- One-piece forged construction flange as standard.
- H needle design with retro fit handle options.
- Optional fire safe designed (and tested) to meet BS6755 part 2/API 607.
- Pressure boundary designs calculated to ASME VIII Div. 1 and verified by testing.
- 4:1 Factor of Safety.
- Heat code traceable material to EN10204.3.1.
- Bubble tight shut off valve seats 17-4 PH tips standard.
- Optional PEEK tips available.
- Colour coded functional valves.
- Optional locking and anti tamper devices for all valve types available.
- NACE MR 0175/ISO 15156 compliant material available on request.
- Permanent marked body with full order and specification details.

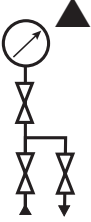

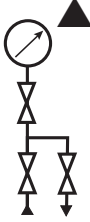

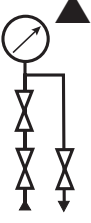

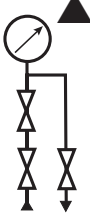

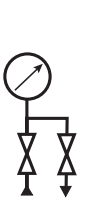

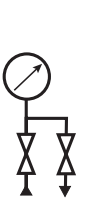

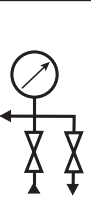











### Standard specification:

Outlet - 1/2" FNPT  
Vent - plugged 1/4" FNPT  
Seat - metal/metal St. St.  
Packing - PTFE

# Flanged Products

## Monoflange (MF) manifold selection and part number construction - made easy

Select the style of Monoflange from the choice of arrangements below noting the complete **MF reference**. If the style or arrangement is not shown below please provide full description and specification.

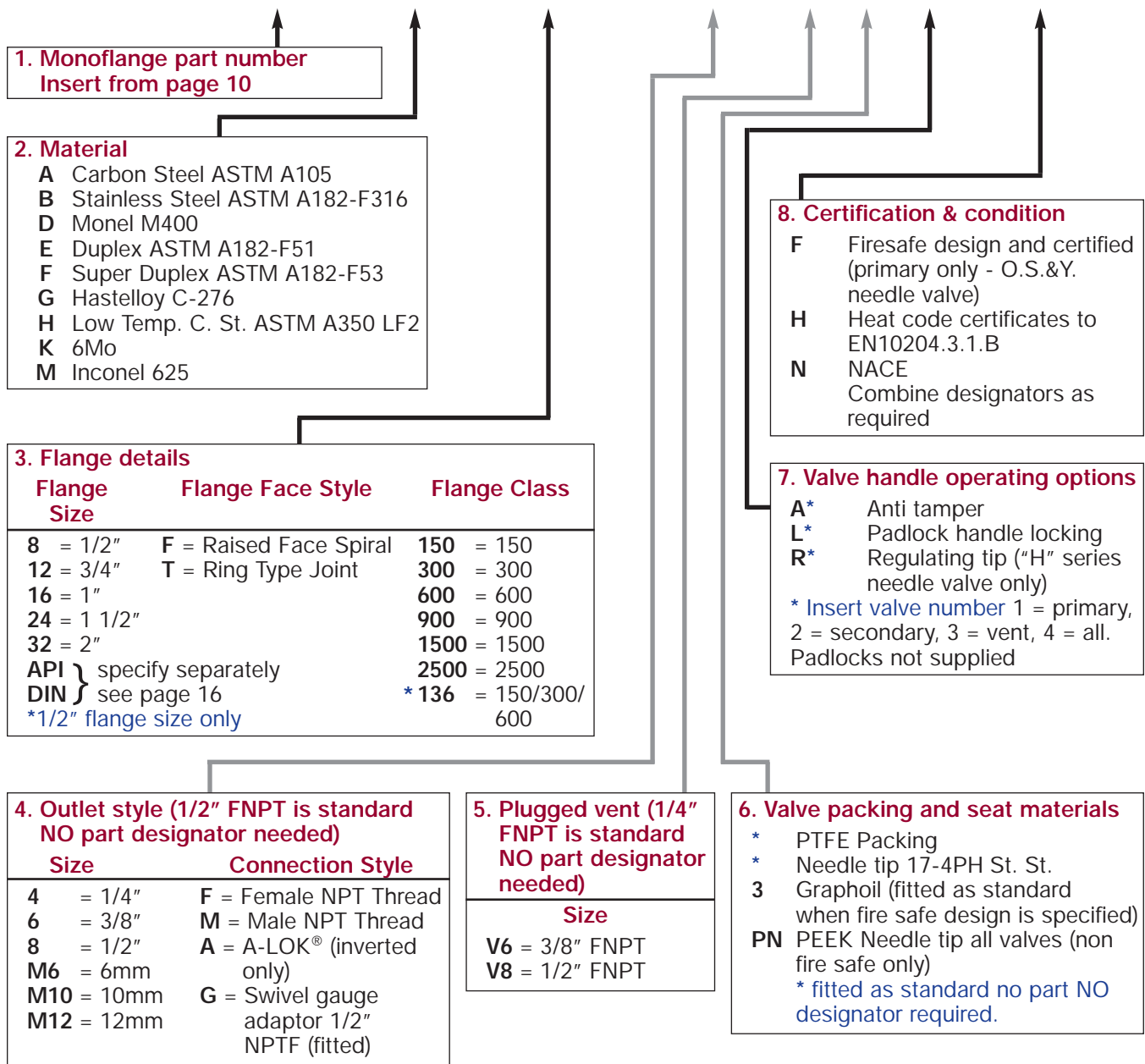
		<b>Block bleed block</b> 1st Isolate: Needle 2nd Isolate: Needle Vent: Needle			<b>Block bleed block</b> 1st Isolate: O.S.&Y. 2nd Isolate: Needle Vent: Needle
		<b>Block block bleed</b> 1st Isolate: Needle 2nd Isolate: Needle Vent: Needle			<b>Block block bleed</b> 1st Isolate: O.S.&Y. 2nd Isolate: Needle Vent: Needle
		<b>Block &amp; bleed</b> 1st Isolate: Needle Vent: Needle			<b>Block &amp; bleed</b> 1st Isolate: O.S.&Y. Vent: Needle
		<b>Block &amp; bleed</b> 1st Isolate: Needle Vent: Needle			<b>Block &amp; bleed</b> 1st Isolate: O.S.&Y. Vent: Needle
		<b>Double block</b> 1st Isolate: Needle 2nd Isolate: Needle			<b>Double block</b> 1st Isolate: O.S.&Y. 2nd Isolate: Needle.
		<b>Single block</b> 1st Isolate: Needle			<b>Single block</b> 1st Isolate: O.S.&Y.

▲ For dual outlets specify MFH105, MFH115, MFY105, MFY115

Other flow path options: MF\*160 Bleed only, MF\*200 Flange to flange design,

MFY102 O.S.&Y. Primary and secondary isolate, MFY117 O.S.&Y. All round and dual outlet. Please note vent valve is not anti-tamper as std.

**Example MFY100 B 32T2500 A3 F**



⚠ When selecting products for specific applications users should refer to our notice at the bottom of page 19.

## IMPORTANT NOTES

All non wetted parts will be supplied in standard stainless steel for exotic materials. For carbon steel construction trim materials will be supplied in stainless steel.

Ring type joints (T) CANNOT be supplied for 1/2" & 3/4" class 150 flanges.

St. St. grades 302 and 304 are NOT used in the construction of any of these products.

For customer specific options not covered here engineering will allocate a part number at quotation stage.

Certification requirements and customer specifications MUST be provided at enquiry and order stage.

For API flange requirements full details must be specified separately.

Part number example MFY100B32T2500A3F Monoflange - Double Block and Bleed - Block (O.S.&Y.) Bleed (Needle) Block (Needle)

(MFY100) - 316 St. St. construction (B) - 2" Pipe flange, Ring type joint, class 2500 (32T2500) - 1/2" female NPT outlet - 1/4" Female NPT vent - Anti-tamper vent (A3) - Firesafe design and certified (F), valves fitted with PTFE packing, metal seated 17-4PH st.st. tips.

### Pro-Bloc® (PB) Manifolds

#### Purpose

This manifold range is designed to replace conventional multiple-valve installations currently in use for interface with pressure measuring systems. By combining customer specified valves into a single manifold, the number of leak paths is considerably reduced and the mass of the system is lowered reducing the stresses from loading and vibration. The result of which substantially improves installation and operational safety factors. Reduction in leakage path connections together with a one-piece solution also provides positive installation cost savings.



#### Key advantages of Parker Pro-Bloc®

- Strong construction produced from one piece grain flow controlled forged body.
- Various flow and valve configurations available allowing true flexibility to meet all customer requirements.
- Single flange, double flange or triple flange configurations available.
- Standard materials of Carbon Steel A105, Low Temperature Carbon Steel A350 LF2, Stainless Steel A182-F316 and Duplex Stainless Steel A182-F51.
- Optional materials include Super Duplex, Monel, Hastelloy, 6Mo, Incoloy 625.
- Incorporation of standard Hi-Pro ball valve and "H" series needle valve technology.
- 10mm/15mm/20mm/25mm full bore valve design.
- Ergonomically designed operating handles with low torque function.
- User friendly part number and specification construction system.
- Optional integral A-LOK®/CPI™ outlet connection.
- **Parker Tru-loc™ (patent pending) safety system.**



#### Tru-Lock (pp)

##### Mechanical Sealed End Connection

Designed specifically for Pro-Bloc end connection security. Extensive tests have proved that end connections locked with the Tru-Loc (PP) end connector locking mechanism give 100% security and prevent end connector movement when disconnecting instruments or connectors. This ensures that the Ball Seat is securely positioned at all times.

#### Instrument outlet connections

One of the unique features Parker can offer users which can further enhance safety factors is the incorporation of single or twin ferrule compression fittings as an integral part of the outlet connection.

Installation of the instrument which require remote positioning will be interconnected using conventional tube and compression fittings, whilst NPT taper threads are accepted as a standard their use involves some form of thread sealant which adds to the complication of instrument performance through contamination within the system.

Avoiding these taper thread connections wherever possible reduces this contaminant risk and Parker, being a leading manufacturer of compression type of fittings (which requires no sealant mediums), can incorporate them in the outlet connection, totally eliminating the contamination risk.



PB\*100



PB\*120



PB\*160



PB\*220

## Pro-Bloc® features

- 1/2" to 3" N.B. Flanges (15 to 50 DN).
- ANSI B16.5 150 to 2500 flange class and API 10,000.
- 10mm/15mm/20mm/25mm full bore valve design.
- 1/2"-14 to 1"-11.5 NPT (female) standard outlet (depending on bore size).
- 1/2" NPT (female) standard vent.
- Variety of optional end connection sizes and thread forms including tube connections up to 1"/25mm diameter (depending on bore size).
- Standard materials of construction: Stainless steel ASTM A182 F316/F316L, Carbon steel ASTM A350 LF2/A105, Duplex ASTM A182 F51.
- Optional materials on request.
- Instrument connections A-LOK®/CPI™ available.
- Raised face and ring type joint flange face styles.
- One-piece forged construction flange as standard.
- Optional fire safe designed (and tested) to meet BS 6755 Part 2/API 607.
- 316 stainless steel handles and trim as standard to reduce the risk of corrosion.
- Designed to meet the pressure and temperature requirements of ASME/ANSI B16.34/B16.5.
- Pressure boundary designs calculated to ASME VIII Div 1 and verified by testing.
- 4:1 Factor of Safety.
- Heat code traceable material to EN10204.3.1.
- Bubble tight shut off.
- Colour coded functional valves.
- Optional locking and anti tamper devices for all valve types available.
- Positive lever stop.
- NACE MR 0175/ISO 15156 compliance available on request.
- Large user friendly handles.
- Permanent affixed reference label.
- O.S.&Y. and "H" series needle valves can be combined with ball valves.

\* Select bore size  
Y - 10mm, X - 15mm, W - 20mm, V - 25mm

**Standard specification flange x screw:**  
 Outlet - FNPT; Vent - 1/2" FNPT plugged;  
 Ball seats. P.T.F.E.; Needle seats, metal/metal  
 17-4 PH St. St.; P.T.F.E. packing all valves.

# Flanged Products

## Pro-Bloc® (PB) manifold selection and part number construction - made easy

Select the style of Pro-Bloc from the choice of arrangements below noting the complete **PB reference**.

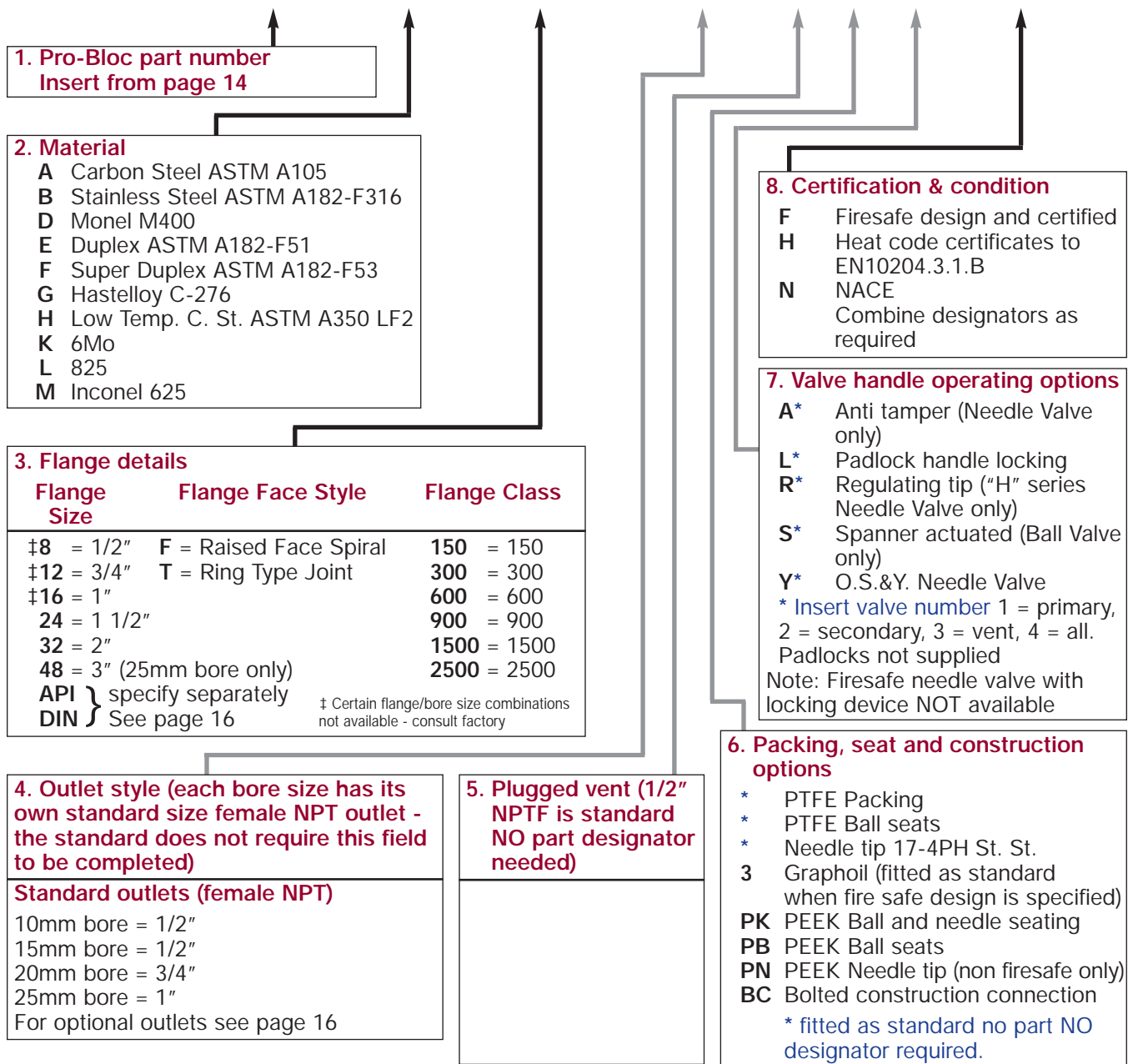
\* Select ball bore size, Y = 10mm, X = 15mm, W = 20mm, V = 25mm. e.g. PWB100 = 20mm ball bore.

● Only available with 10mm bore ball valve.

	<p>Block bleed block Flange x screw 1st Isolate: Ball 2nd Isolate: Ball Vent: Needle</p>  <p><b>PB*100</b></p>		<p>Block bleed block Flange x flange 1st Isolate: Ball 2nd Isolate: Ball Vent: Needle</p>  <p><b>PB*200</b></p>
● 	<p>Block bleed block Flange x screw 1st Isolate: Ball 2nd Isolate: Needle Vent: Needle</p>  <p><b>PBY110</b></p>	● 	<p>Block bleed block Flange x flange 1st Isolate: Ball 2nd Isolate: Needle Vent: Needle</p>  <p><b>PBY210</b></p>
	<p>Block bleed block Flange x screw 1st Isolate: Ball 2nd Isolate: Ball Vent: Ball</p>  <p><b>PB*120</b></p>		<p>Block bleed block Flange x flange 1st Isolate: Ball 2nd Isolate: Ball Vent: Ball</p>  <p><b>PB*220</b></p>
	<p>Block &amp; bleed Flange x screw 1st Isolate: Ball Vent: Needle</p>  <p><b>PB*130</b></p>		<p>Block &amp; bleed Flange x flange 1st Isolate: Ball Vent: Needle</p>  <p><b>PB*230</b></p>
	<p>Block &amp; bleed Flange x screw 1st Isolate: Ball Vent: Ball</p>  <p><b>PB*140</b></p>		<p>Block &amp; bleed Flange x flange 1st Isolate: Ball Vent: Ball</p>  <p><b>PB*240</b></p>
● 	<p>Double block Flange x screw 1st Isolate: Ball 2nd Isolate: Needle</p>  <p><b>PBY150</b></p>	● 	<p>Double block Flange x flange 1st Isolate: Ball 2nd Isolate: Needle</p>  <p><b>PBY250</b></p>
	<p>Double block Flange x screw 1st Isolate: Ball 2nd Isolate: Ball</p>  <p><b>PB*160</b></p>		<p>Double block Flange x flange 1st Isolate: Ball 2nd Isolate: Ball</p>  <p><b>PB*260</b></p>

10mm bore single isolate.  specify PBY165, PBY265.

**Example PB\*100 B 32T2500 F**



Modular designs are available upon application

Flange x screw PB\*500 series  
 Flange x flange PB\*600 series

## Other flange detail options (reference Box 3 flange details page 15)


3. Flange details API 6A / ISO 10423 (Dimensionally compliant only)	
Flange Size	Flange Rating
29 = 1 13/16"	2K = 2000 psig
33 = 2 1/16"	3K = 3000 psig
41 = 2 9/16"	5K = 5000 psig
	10K = 10000 psig

3. Flange details DIN	
Flange Size	Flange Class
DN10	PN6
DN15	PN10
DN20	PN16
DN25	PN40
DN32	PN100
DN40	
DN50	

## Other outlet options (reference Box 4 outlet style page 15)

4. Optional outlets	
Size	Connection Style
4 = 1/4"	F = Female NPT
6 = 3/8"	M = Male NPT
8 = 1/2"	A = A-LOK®
10 = 5/8"	Z = CPI™
12 = 3/4"	G = Swivel gauge adaptor
14 = 7/8"	1/2" Female NPT (fitted)
16 = 1"	
M6 = 6mm	
M10 = 10mm	
M12 = 12mm	
M14 = 14mm	
M15 = 15mm	
M16 = 16mm	
M18 = 18mm	
M20 = 20mm	
M22 = 22mm	
M25 = 25mm	

Note: Contact factory for bore size/outlet connection combinations

 When selecting products for specific applications users should refer to our notice at the bottom of page 19.

### IMPORTANT NOTES

All non wetted parts will be supplied in standard stainless steel for exotic materials. For carbon steel construction trim materials will be supplied in stainless steel.

For flange to flange construction when the required flanges are different sizes then specify both sizes in section 3 example: 1st flange 1" pipe (16), raised face (F), class 900 (900), 2nd flange 1/2" (8), raised face (F), class 900 (900) insert: 16F9008F900. Consult factory for available combinations.

Ring type joints (T) CANNOT be supplied for 1/2" & 3/4" class 150 flanges.

St. St. grades 302 and 304 are NOT used in the construction of any of these products.

For customer specific options not covered here engineering will allocate a part number at quotation stage.

Certification requirements and customer specifications MUST be provided at enquiry and order stage.

For API flange requirements full details must be specified separately.

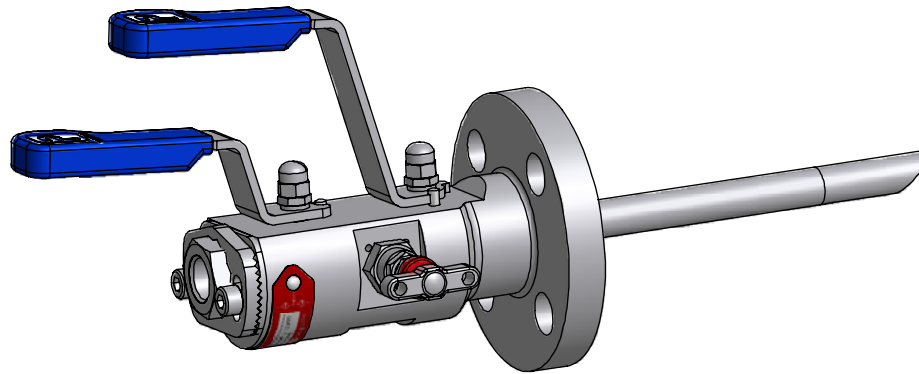
Part number example PBYP100B32T2500F Pro-Bloc - Flange by screw - Double Block and Bleed - Block (Ball) Bleed (Needle) Block (Ball) (PBYP100) - 316 St. St. construction (B) - 2" Pipe flange, Ring type joint, class 2500 (32T2500) - 1/2" female NPT outlet - 1/2" Female NPT vent - Firesafe design and certified (F), all valves PTFE packed, ball seats PTFE, needle valve metal seated 17-4PH st.st. tips.



## Pro-Bloc® (PB) Manifolds

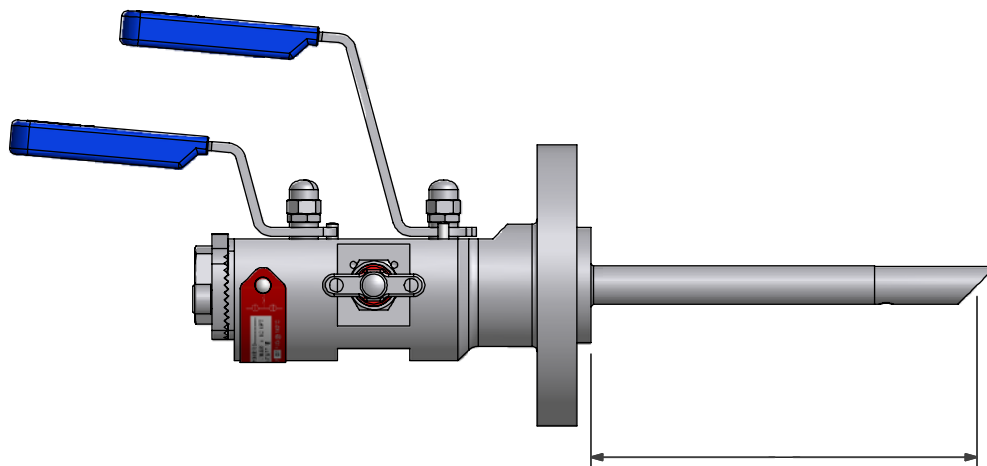
### Pro-Bloc® for sampling applications (10mm bore only)

This manifold range is designed to replace conventional multiple-valve installations where sampling of the process stream is required. This design has been developed to remove a sample directly from the process stream at full system pressure. All of the options and configurations shown within the standard Pro-Bloc range can be offered for sampling service by the addition of a customised sampling probe which extends from the pipe flange into the process stream.



### Pro-Bloc® for sampling applications - part numbering

In order to specify the addition of a sampling probe to your Pro-Bloc simply add an “S” to the beginning of the part number i.e. SPB... The probe length in “mm” must be added to the end of the part number, see below. Due to the internal bore size of standard ASME flanges probes can only be installed on a range of flanges - please see the attached table.



Size	Class
1" 1 1/2" 2"	150
1" 1 1/2" 2"	300
1" 1 1/2" 2"	600
1" 1 1/2" 2"	900/1500
1" 1 1/2" 2"	2500

The probe length must be specified from the raised face to the end of the probe in mm, to the nearest mm. Probes are supplied to suit the insertion length required by the pipeline and thus must be specified by the customer.

A wide variety of end preparations and support collars are available on request.

Probe strength wake frequency calculations can be carried out against pipeline flow rates on request.

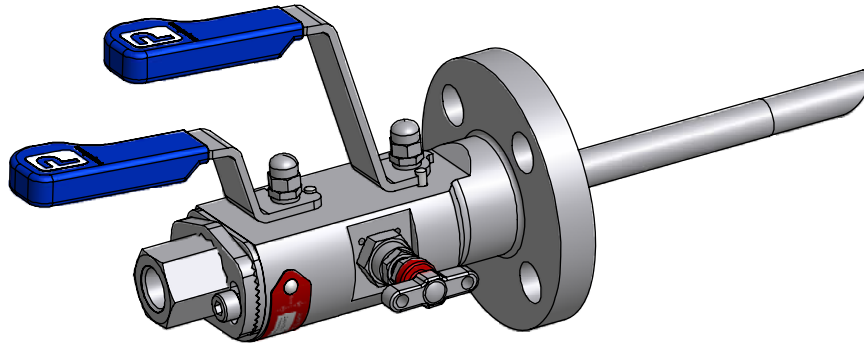
In the event of the required valve configuration not be shown please do not hesitate to contact the factory as Parker Hannifin IPD offer bespoke customer solutions.

# Flanged Products

## Pro-Bloc® (PB) Manifolds

### Pro-Bloc® for injection applications (10mm bore only)

This manifold range is designed to replace conventional multiple-valve installations where injection into the process stream is required. This design has been developed to inject directly into the process stream at full system pressure. All of the options and configurations shown within the standard Pro-Bloc range can be offered for injection service by the addition of a customised injection probe which extends from the pipe flange into the process stream. Pro-Bloc's for injection applications include an injection probe which enables the fluid to be injected directly into the process stream and a high integrity full bore non-return valve to eliminate the risk of back flow out of the process stream.



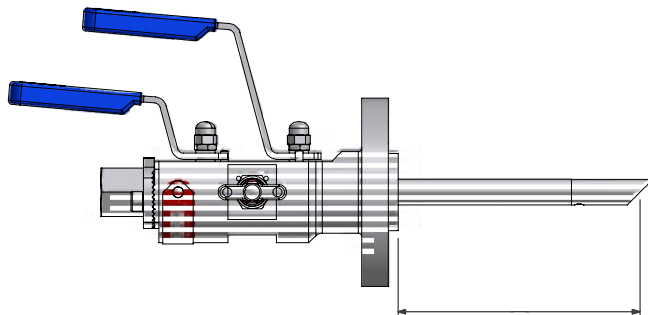
### Pro-Bloc® for injection applications - part numbering

In order to specify the addition of an injection probe and non-return valve to your Pro-Bloc simply add a “J” to the beginning of the part number i.e. JPB... The probe length in “mm” must be added to the end of the part number, see below. Due to the internal bore size of standard ASME flanges probes can only be installed on a range of flanges - please see the table in the sampling Pro-Bloc section (previous page).

The probe length must be specified from the raised face to the end of the probe in mm, to the nearest mm. Probes are supplied to suit the insertion length required by the pipeline and thus must be specified by the customer.

A wide variety of end preparations and support collars are available on request.

Probe strength wake frequency calculations can be carried out against pipeline flow rates on request.

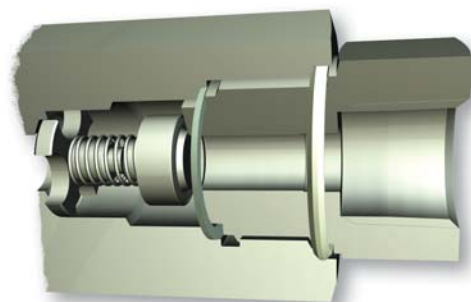


### Hi-Check non-return valve

This high integrity full bore non-return valve eliminates the risk of back flow out of the process stream. The design utilises a spring loaded poppet to ensure leak proof performance. The Hi-Check Non Return Valve is designed for higher flow and low pressure drop across the valve - having a larger through bore than most other manufacturers equivalent product.

As standard a viton seal will be supplied with a “crack” pressure of 10 psig. A wide variety of seat materials and crack pressures are available on request.

In the event of the required valve configuration not being shown please do not hesitate to contact the factory as Parker Hannifin IPD offer bespoke customer solutions. See Catalogue 4190-CV for more details.







---

**Parker Hannifin Corporation**  
Instrumentation Products Division  
1005 A Cleaner Way  
Huntsville, AL 35805  
USA  
Tel: (256) 881-2040  
Fax: (256) 881-5072  
[www.parker.com/ipdus](http://www.parker.com/ipdus)

**Parker Hannifin plc**  
Instrumentation Products Division  
Riverside Road  
Pottington Business Park  
Barnstaple, Devon EX31 1NP  
England  
Tel: +44 (0)1271 313131  
Fax: +44 (0)1271 373636  
Email: [ipd@parker.com](mailto:ipd@parker.com)  
[www.parker.com/ipd](http://www.parker.com/ipd)