

## Excelon modular system

Boxed sets and combination units  
 Filter/regulators and lubricators  
 G 1/4 up to G 3/4

Boxed sets include:  
 Filter/regulator and micro-fog lubricator complete with exhausting shut-off valve, pressure gauge and mounting brackets



BL72

BL73

BL74

## Description

Medium:	compressed air
Maximum inlet pressure:	10 bar
Gauge ports:	RC 1/8
Ambient temperature:	-20 °C to +50 °C
Pressure range:	0.3 - 10 bar

Consult our Technical Services for use below +2°C

## Material

BL72	
Body:	Zinc
Bowl:	Polycarbonate standard, Zinc bowl optional
Elastomers:	Neoprene, nitrile and Geolast
Level indicator lens:	Transparent nylon
Filter/regulator:	Acetal bonnet
Element:	Sintered polypropylene
Valve:	Brass
Lubricator:	Transparent nylon sightfeed dome

BL73	
Bonnet:	Aluminium
Valve:	Brass
Element:	Sintered plastic
Body / bowl:	Aluminium
Liquid level:	Transparent nylon
Elastomers:	Neoprene and nitrile

BL74	
Bonnet:	Aluminium
Valve:	Brass
Element:	Sintered plastic
Body:	Aluminium
Sight feed:	Transparent nylon
Elastomers:	Dome, neoprene and nitrile

## Features

- High efficiency water and particle removal
- Quick release bayonet bowls
- Push to lock adjusting knob with tamper resistant option
- All round (360°) visibility of lubricator sight feed dome for ease of drip rate setting
- Micro-fog lubricator for most general purpose pneumatic applications

## Technical data

Image	Connection size G	Element $\mu\text{m}$	Bowls	Operating pressure bar*	Weight kg	Model	
						Auto*	Manual**
<b>Boxed sets</b>							
	1/4	40	Transparent	0.3 - 10	1.65	BL72-201GA	BL72-221G
	3/8	40	Transparent	0.3 - 10	2.26	BL73-301G	BL73-321G
	1/2	40	Guarded transparent	0.3 - 10	3.55	BL74-401G	BL74-421G
<b>Filter-regulator and lubricator combinations</b>							
	1/4	40	Transparent	0.3 - 10	1.67	BL72-208GA	BL72-228G
	3/8	40	Transparent	0.3 - 10	1.67	BL72-308GA	BL72-328G
	3/8	40	Transparent	0.3 - 10	2.26	BL73-308G	BL73-328G
	1/2	40	Transparent	0.3 - 10	2.26	BL73-408G	BL73-428G
	1/2	40	Guarded transparent	0.3 - 10	3.50	BL74-408G	BL74-428G
	3/4	40	Guarded transparent	0.3 - 10	3.55	BL74-608G	BL74-628G

\* For metal bowl options substitute '5' at 7th digit e.g. BL73-351G

\*\* For metal bowl options substitute '6' at 7th digit e.g. BL72-261G

## Accessories

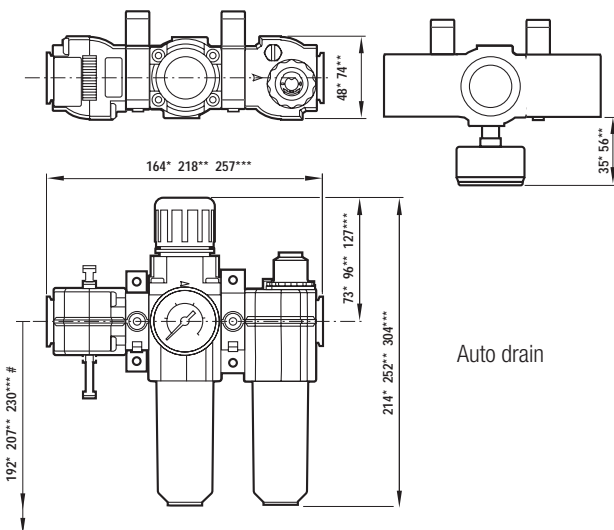
Series	Connection size G	Gauge 0 - 10 bar*	Tamper resistant cover and seal wire	Seal wire**	Tamper resistant snap-on cap for lubricator sight feed dome	Exhaust port silencer 3/2 Shut-off valve	3/2 Shut-off valve	Wall mounting bracket
BL72	1/4	18-013-989	4255-51	2117-01	4050-89	T40M0500	T72T-2GA-P1N	4213-89
BL73	3/8	18-013-013	4455-51	2117-01	4050-89	T40M0500	T73T-3GA-P1N	4313-50
BL74	1/2	18-013-013	4355-50***	2117-01	-	T40B1800	T74T-4GA-P1N	4313-50

\* For additional gauges please contact our technical service

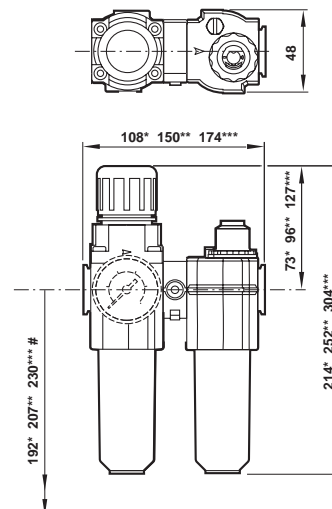
\*\* Pack of 10

\*\*\* Seal wire not included

## Boxed sets



## Filter/regulator and lubricator combinations



\* BL72, \*\* BL73, \*\*\* BL74

# Minimum clearance required to remove bowl

\* BL72, \*\* BL73, \*\*\* BL74

# Minimum clearance required to remove bowl