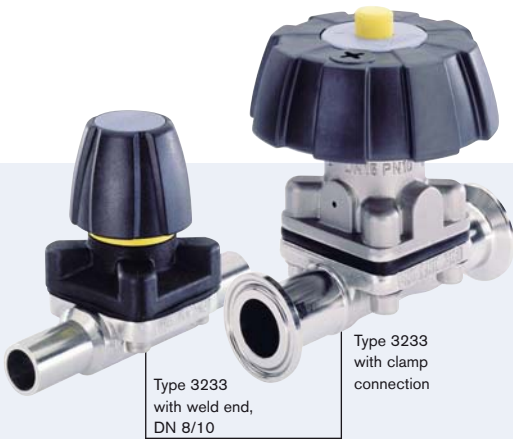


## 2-way Diaphragm Valve, cast valve body, weld end and clamp connection, DN 4-50



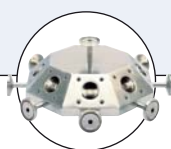
Type 3233  
with weld end,  
DN 8/10

Type 3233  
with clamp  
connection

Type 3233 can be combined with...





**Type 8034**  
Flow meter



**Multi-Port Block**



**Type 3233/2031**  
Tandem valve





- Hermetical separation of fluids from the operating mechanism by diaphragm
- Zero dead volume
- Visual position indication
- Optional locking function (>DN15)
- Quality certifications  / 

The 3233 manually-operated diaphragm valve in compact form consists of a flow-optimised cast stainless steel body with various surface finishes, a diaphragm and a manual actuator.

The material combinations are selectable. The diaphragm is both a switch element and a sealing element to the outside. It can be easily replaced. The flow can be continually adjusted with the manually actuator.

The valves have no dead volume and can be mounted to be self-draining. This enables high flow capacities and a variety of applications to be realized. The valves are autoclavable.

### Applications

-  Water treatment
-  Pure water production
-  Biotechnology
-  Nutraceuticals

Technical data	
<b>Orifice</b>	DN 4 - 50
<b>Body material</b>	Cast stainless steel 316 L/1.4435
<b>Actuator materials</b> Handwheel and bonnet	PPS, stainless steel
<b>Seal materials</b>	EPDM, PTFE/EPDM (advanced PTFE/EPDM, FKM on request)
<b>Medium</b>	Neutral gases and liquids, high purity, sterile, aggressive or abrasive fluids
<b>Surface finish</b> internal mechanical polished (external cast surface) internal electro polished (external cast surface electro polished) (further on request)	(average surface finish) Ra ≤ 0.8 µm  Ra ≤ 0.6 µm
<b>Medium pressure</b>	0 up to 10 bar
<b>Medium temperatures</b> EPDM, PTFE/EPDM, advanced PTFE/EPDM (on request) <sup>1)</sup> FKM on request	-10 to +130°C (briefly up to +150°C for steam sterilisation) -10 to +130°C
<b>Ambient temperature</b>	Up to +130°C Briefly up to +150°C
<b>Port connections</b> Weld end acc.  Clamp acc.  Sterile threaded ends and other ports	•EN ISO 1127/ISO 4200 •DIN 11850 •SMS 3008 •ASME BPE on request  •ISO 2852/SMS 3017 •DIN 32676 •BS 4825  on request
<b>Installation</b> with self-draining operation	As required, preferably with actuator in upright position see drawing p. 2

1) Advanced PTFE/EPDM is recommended for sterilization cycle

## Technical data, continued

### Kv-values and weight

Port connection		Kv-value water [m <sup>3</sup> /h]	Max. operating pressure [bar]	Weight [kg]	
[mm]	[inch]			Handwheel PPS/ bonnet stainless steel	Handwheel and bonnet PPS
4/6	–	0.8	10	0.4	0.3
8	1/4"	1.0	10	0.4	0.3
10	3/8"	1.0	10	0.4	0.3
15	1/2"	6.0	10	0.7	0.6
20	3/4"	11.0	10	1.0	0.9
25	1"	16.0	10	1.8	1.6
32	1 1/4"	29.0	10	3.4	3.1
40	1 1/2"	29.0	10	3.4	3.1
50	2"	50.0	7/10 <sup>1)</sup>	4.2	3.7

1) See ordering charts

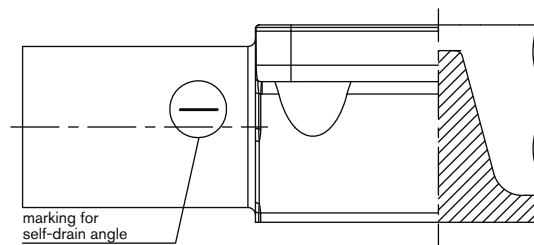
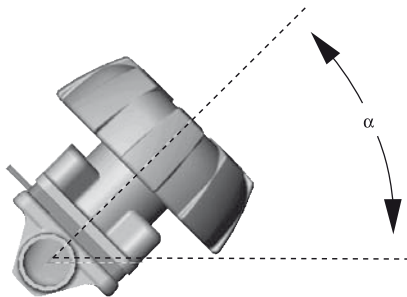
### Flow rate: Kv-value water (m<sup>3</sup>/h)

Measured at +20°C, 1 bar pressure at valve inlet and free outlet.

### Pressure values (bar)

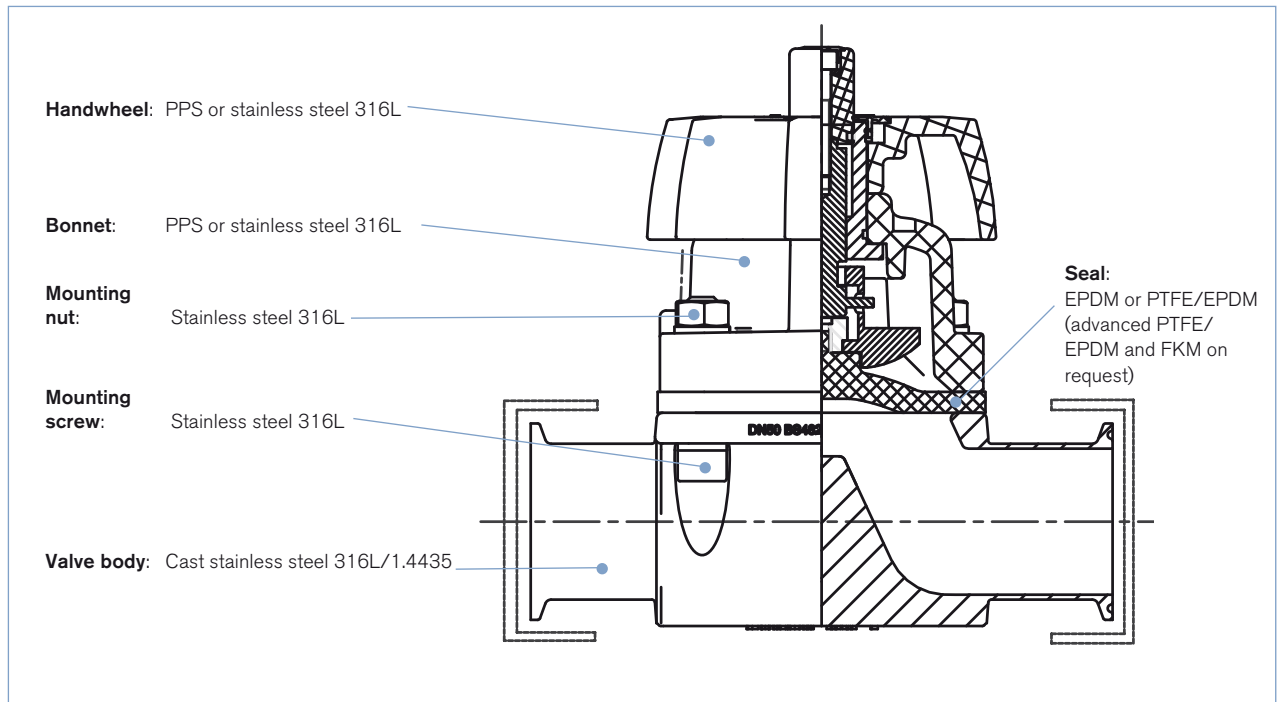
Gauge pressures with respect to the prevailing atmospheric pressure.

## Installation for self-draining operation



$\alpha = 15$  up to  $35^\circ$  (Marking must face upwards, 12 o'clock position)  
plus  $3^\circ$  to  $5^\circ$  inclination to the pipe axis.  
Drain marks permanently marked on both sides of the valve body  
show the correct mounting position to optimise drain ability.

## Materials



## Approvals

### Suitable for foodstuffs / sterile applications




- The composition of the EPDM, PTFE/EPDM and advanced PTFE/EPDM diaphragms corresponds to the *Code of Federal Regulations*, published by the *FDA* (Food and Drug Administration, USA).



- The diaphragm valves are 3-A approved (3-A Sanitary Standards Symbol Administrative Council)

## Ordering chart for valves (other versions on request)

Body with weld end, acc. EN ISO 1127/ISO 4200

	Port connection		External Ø [mm]	Kv-value water [m³/h]	Max. operating pressure [bar]	Item no.	
	[mm]	[inch]				Mech. polished, Ra ≤ 0.8 µm	Electro polished, Ra ≤ 0.6 µm
<b>Acc. EN ISO 1127/ ISO 4200, diaphragm material EPDM</b>							
Handwheel PPS/bonnet PPS							
8		1/4"	13.5	1.0	10	442 147	442 148
10		3/8"	17.2	1.0	10	442 171	442 172
15		1/2"	21.3	6.0	10	442 270	442 271
20		3/4"	26.9	11.0	10	442 309	442 310
25		1"	33.7	16.0	10	442 352	442 353
32		1 1/4"	42.4	29.0	10	551 965	554 966
40		1 1/2"	48.3	29.0	10	442 410	442 411
50		2"	60.3	50.0	7	442 465	442 466
Handwheel PPS/bonnet stainless steel							
8		1/4"	13.5	1.0	10	440 977	440 978
10		3/8"	17.2	1.0	10	441 015	441 016
15		1/2"	21.3	6.0	10	441 061	441 062
20		3/4"	26.9	11.0	10	441 119	441 120
25		1"	33.7	16.0	10	441 173	441 174
32		1 1/4"	42.4	29.0	10	554 967	554 968
40		1 1/2"	48.3	29.0	10	440 957	440 958
50		2"	60.3	50.0	10	440 961	440 962
<b>Acc. EN ISO 1127/ ISO 4200, diaphragm material PTFE/EPDM</b>							
Handwheel PPS/bonnet PPS							
8		1/4"	13.5	1.0	10	441 810	441 811
10		3/8"	17.2	1.0	10	441 814	441 815
15		1/2"	21.3	6.0	10	441 818	441 819
20		3/4"	26.9	11.0	10	441 822	441 823
25		1"	33.7	16.0	10	441 826	441 827
32		1 1/4"	42.4	29.0	10	550 767	554 969
40		1 1/2"	48.3	29.0	10	441 830	441 831
50		2"	60.3	50.0	7	441 834	441 835
Handwheel PPS/bonnet stainless steel							
8		1/4"	13.5	1.0	10	441 033	441 034
10		3/8"	17.2	1.0	10	441 091	441 092
15		1/2"	21.3	6.0	10	441 145	441 146
20		3/4"	26.9	11.0	10	440 973	440 974
25		1"	33.7	16.0	10	441 011	441 012
32		1 1/4"	42.4	29.0	10	554 970	554 971
40		1 1/2"	48.3	29.0	10	441 053	441 054
50		2"	60.3	50.0	10	441 111	441 112

Port connection size equals the orifice diaphragm size except for port connection 32 mm. At port connection 32 mm the orifice diaphragm size equals 40 mm.

 Further versions on request


**Port connection**  
Sterile threaded ends




**Material**  
Seal: FKM, advanced  
PTFE/EPDM



**Additional**  
Locking function (not for DN 8/10)

## Ordering chart for valves (other versions on request)

Body with weld end, acc. DIN 11850 Series 0 and Series 2

	Port connection		External Ø [mm]	Kv-value water [m³/h]	Max. operating pressure [bar]	Item no.	
	[mm]	[inch]				Mech. polished, Ra ≤ 0.8 µm	Electro polished, Ra ≤ 0.6 µm
<b>Acc. DIN 11850 Series 0, diaphragm material EPDM</b>							
Handwheel PPS/bonnet PPS							
4	–	6.0	0.8	10	443 785	443 786	
6	–	8.0	0.8	10	443 789	443 790	
Handwheel PPS/bonnet stainless steel							
4	–	6.0	0.8	10	443 801	443 802	
6	–	8.0	0.8	10	443 805	443 806	
<b>Acc. DIN 11850 Series 0, diaphragm material PTFE/EPDM</b>							
Handwheel PPS/bonnet PPS							
4	–	6.0	0.8	10	443 793	443 794	
6	–	8.0	0.8	10	443 797	443 798	
Handwheel PPS/bonnet stainless steel							
4	–	6.0	0.8	10	443 809	443 810	
6	–	8.0	0.8	10	443 813	443 814	
<b>Acc. DIN 11850 Series 2, diaphragm material EPDM</b>							
Handwheel PPS/bonnet PPS							
10	3/8"	13.0	1.0	10	442 163	442 164	
15	1/2"	19.0	6.0	10	442 262	442 263	
20	3/4"	23.0	11.0	10	441 305	442 302	
25	1"	29.0	16.0	10	442 344	442 345	
40	1 1/2"	41.0	29.0	10	442 402	442 403	
50	2"	53.0	50.0	7	442 457	442 458	
Handwheel PPS/bonnet stainless steel							
10	3/8"	13.0	1.0	10	441 108	442 109	
15	1/2"	19.0	6.0	10	442 124	442 125	
20	3/4"	23.0	11.0	10	442 018	442 071	
25	1"	29.0	16.0	10	441 719	441 720	
40	1 1/2"	41.0	29.0	10	441 642	441 643	
50	2"	50.0	50.0	10	441 622	441 623	
<b>Acc. DIN 11850 Series 2, diaphragm material PTFE/EPDM</b>							
Handwheel PPS/bonnet PPS							
10	3/8"	13.0	1.0	10	441 528	441 529	
15	1/2"	19.0	6.0	10	441 544	441 545	
20	3/4"	23.0	11.0	10	441 559	441 560	
25	1"	29.0	16.0	10	441 575	441 576	
40	1 1/2"	41.0	29.0	10	441 688	441 689	
50	2"	50.0	50.0	7	441 638	441 639	
Handwheel PPS/bonnet stainless steel							
10	3/8"	13.0	1.0	10	441 086	441 196	
15	1/2"	19.0	6.0	10	441 087	441 197	
20	3/4"	23.0	11.0	10	441 088	441 725	
25	1"	29.0	16.0	10	441 141	441 726	
40	1 1/2"	41.0	29.0	10	441 142	441 727	
50	2"	50.0	50.0	10	441 195	441 728	

**i Further versions on request**

**Port connection**  
Sterile threaded ends




**Material**  
Seal: FKM, advanced PTFE/EPDM



**Additional**  
Locking function (not for DN 8/10)

## Ordering chart for valves (other versions on request)


Body with weld end, acc. SMS 3008

	Port connection		External Ø [mm]	Kv-value water [m³/h]	Max. operating pressure [bar]	Item no.	
	[mm]	[inch]				Mech. polished, Ra ≤ 0.8 µm	Electro polished, Ra ≤ 0.6 µm
<b>Acc. SMS 3008, diaphragm material EPDM</b>							
Handwheel PPS/bonnet PPS							
25	1"	25.0	16.0	10	442 356	442 357	
40	1 1/2"	38.0	29.0	10	442 414	442 415	
50	2"	51.0	50.0	7	442 469	442 470	
Handwheel PPS/bonnet stainless steel							
25	1"	25.0	16.0	10	440 965	440 966	
40	1 1/2"	38.0	29.0	10	440 969	440 970	
50	2"	51.0	50.0	10	440 995	440 996	
<b>Acc. SMS 3008, diaphragm material PTFE/EPDM</b>							
Handwheel PPS/bonnet PPS							
25	1"	25.0	16.0	10	441 838	441 839	
40	1 1/2"	38.0	29.0	10	441 842	441 843	
50	2"	51.0	50.0	7	441 846	441 847	
Handwheel PPS/bonnet stainless steel							
25	1"	25.0	16.0	10	441 165	441 166	
40	1 1/2"	38.0	29.0	10	441 027	441 028	
50	2"	51.0	50.0	10	441 077	441 078	

**i Further versions on request****Port connection**  
Sterile threaded ends**Material**  
Seal: FKM, advanced  
PTFE/EPDM**Additional**  
Locking function (not for DN 8/10)

## Ordering chart for valves (other versions on request)

Body with clamp connection, acc. ISO 2852 - SMS 3017 and DIN 32676

	Port connection		External Ø [mm]	Kv-value water [m³/h]	Max. operating pressure [bar]	Item no.	
	[mm]	[inch]				Mech. polished, Ra ≤ 0.8 µm	Electro polished, Ra ≤ 0.6 µm
<b>Acc. ISO 2852 - SMS 3017, diaphragm material EPDM</b>							
Handwheel PPS/bonnet PPS							
25	1"	50.5	16	10	442 372	442 373	
40	1 1/2"	50.5	29	10	442 430	442 431	
50	2"	64.0	50	7	442 485	442 486	
Handwheel PPS/bonnet stainless steel							
25	1"	50.5	16	10	440 999	441 000	
40	1 1/2"	50.5	29	10	441 003	441 004	
50	2"	64.0	50	10	441 007	441 008	
<b>Acc. ISO 2852 - SMS 3017, diaphragm material PTFE/EPDM</b>							
Handwheel PPS/bonnet PPS							
25	1"	50.5	16	10	441 850	441 851	
40	1 1/2"	50.5	29	10	441 854	441 855	
50	2"	64.0	50	7	441 858	441 859	
Handwheel PPS/bonnet stainless steel							
25	1"	50.5	16	10	441 135	441 136	
40	1 1/2"	50.5	29	10	441 189	441 190	
50	2"	64.0	50	10	440 985	440 986	
<b>Acc. DIN 32676, diaphragm material EPDM</b>							
Handwheel PPS/bonnet PPS							
15	1/2"	34.0	6.0	10	442 282	442 283	
20	3/4"	34.0	11.0	10	442 321	442 322	
25	1"	50.5	16.0	10	442 368	442 369	
40	1 1/2"	50.5	29.0	10	442 426	442 427	
50	2"	64.0	50.0	7	442 481	442 482	
Handwheel PPS/bonnet stainless steel							
15	1/2"	34.0	6.0	10	441 037	441 038	
20	3/4"	34.0	11.0	10	441 041	441 042	
25	1"	50.5	16.0	10	441 045	441 046	
40	1 1/2"	50.5	29.0	10	441 049	441 050	
50	2"	64.0	50.0	10	441 095	441 096	
<b>Acc. DIN 32676, diaphragm material PTFE/EPDM</b>							
Handwheel PPS/bonnet PPS							
15	1/2"	34.0	6.0	10	441 862	441 863	
20	3/4"	34.0	11.0	10	442 179	442 180	
25	1"	50.5	16.0	10	442 183	442 184	
40	1 1/2"	50.5	29.0	10	442 187	442 188	
50	2"	64.0	50.0	7	442 191	442 192	
Handwheel PPS/bonnet stainless steel							
15	1/2"	34.0	6.0	10	441 023	441 024	
20	3/4"	34.0	11.0	10	441 069	441 070	
25	1"	50.5	16.0	10	441 127	441 128	
40	1 1/2"	50.5	29.0	10	441 181	441 182	
50	2"	64.0	50.0	10	440 981	440 982	

**i Further versions on request**

**Port connection**  
Sterile threaded ends




**Material**  
Seal: FKM, advanced  
PTFE/EPDM



**Additional**  
Locking function (not for DN 8/10)

## Ordering chart for valves (other versions on request)

## Body with clamp connection, acc. BS 4825

	Port connection		External Ø [mm]	Kv-value water [m³/h]	Max. operating pressure [bar]	Item no.	
	[mm]	[inch]				Mech. polished, Ra ≤ 0.8 µm	Electro polished, Ra ≤ 0.6 µm
<b>Acc. BS 4825, diaphragm material EPDM</b>							
Handwheel PPS/bonnet PPS							
8	1/4"	25.0	1.0	10	442 235	442 236	
10	3/8"	25.0	1.0	10	442 243	442 244	
15	1/2"	25.0	6.0	10	442 325	442 326	
25	1"	50.5	16.0	10	442 376	442 377	
40	1 1/2"	50.5	29.0	10	442 434	442 435	
50	2"	64.0	50.0	7	442 489	442 490	
Handwheel PPS/bonnet stainless steel							
8	1/4"	25.0	1.0	10	441 099	441 100	
10	3/8"	25.0	1.0	10	441 103	441 104	
15	1/2"	25.0	6.0	10	441 107	441 108	
25	1"	50.5	16.0	10	441 149	441 150	
40	1 1/2"	50.5	29.0	10	441 153	441 154	
50	2"	64.0	50.0	10	441 157	441 158	
<b>Acc. BS 4825, diaphragm material PTFE/EPDM</b>							
Handwheel PPS/bonnet PPS							
8	1/4"	25.0	1.0	10	442 195	442 196	
10	3/8"	25.0	1.0	10	442 199	442 200	
15	1/2"	25.0	6.0	10	442 203	442 204	
25	1"	50.5	16.0	10	442 207	442 208	
40	1 1/2"	50.5	29.0	10	442 211	442 212	
50	2"	64.0	50.0	7	442 215	442 216	
Handwheel PPS/bonnet stainless steel							
8	1/4"	25.0	1.0	10	441 019	441 020	
10	3/8"	25.0	1.0	10	441 065	441 066	
15	1/2"	25.0	6.0	10	441 123	441 124	
25	1"	50.5	16.0	10	441 177	441 178	
40	1 1/2"	50.5	29.0	10	441 057	441 058	
50	2"	64.0	50.0	10	441 115	441 116	

 Further versions on request


**Port connection**  
Sterile threaded ends



**Material**  
Seal: FKM, advanced  
PTFE/EPDM

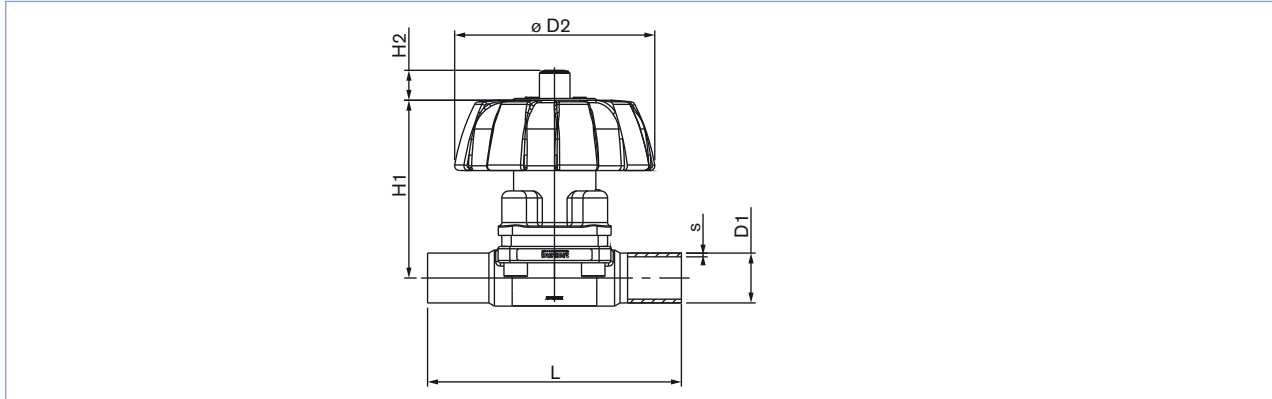


**Additional**  
Locking function (not for DN 8/10)



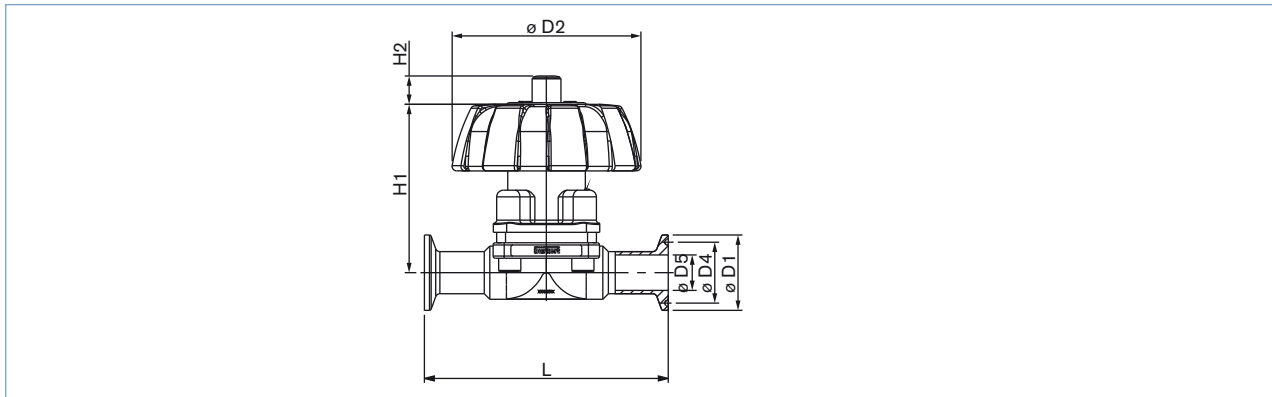
Dimensions [mm]

Body with weld end



Port connection		ØD2	H1	H2	L	EN ISO 1127 / ISO 4200		DIN 11850 Serie 0		Serie 2		SMS 3008	
[mm]	[inch]					ØD1	s	ØD1	s	ØD1	s	ØD1	s
4	-	35.0	56.0	-	90.0	-	-	6.0	1.0	-	-	-	-
6	-	35.0	56.0	-	90.0	-	-	8.0	1.0	-	-	-	-
8	1/4"	35.0	56.0	-	90.0	13.5	1.6	-	-	-	-	-	-
10	3/8"	35.0	56.0	-	90.0	17.2	1.6	-	-	13.0	1.5	-	-
15	1/2"	80.0	85.0	7.0	110.0	21.3	1.6	-	-	19.0	1.5	-	-
20	3/4"	80.0	93.0	11.0	119.0	26.9	1.6	-	-	23.0	1.5	-	-
25	1"	80.0	94.0	12.0	129.0	33.7	2.0	-	-	29.0	1.5	25.0	1.2
32	1 1/4"	114.0	116.0	19.0	161.0	42.4	2.0	-	-	-	-	38.0	1.2
40	1 1/2"	114.0	116.0	19.0	161.0	48.3	2.0	-	-	41.0	1.5	38.0	1.2
50	2"	114.0	133.0	25.0	192.0	60.3	2.0	-	-	53.0	1.5	51.0	1.2

Body with clamp connection



Port connection		ØD2	H1	H2	ISO 2852 - SMS 3017				DIN 32676				BS 4825			
[mm]	[inch]				ØD1	ØD4	ØD5	L	ØD1	ØD4	ØD5	L	ØD1	ØD4	ØD5	L
8	1/4"	35.0	56.0	-	-	-	-	-	-	-	-	-	89.0	25.0	20.22	7.1
10	3/8"	35.0	56.0	-	-	-	-	-	-	-	-	-	89.0	25.0	20.22	10.3
15	1/2"	80.0	85.0	7.0	-	-	-	-	110.0	34.0	27.5	16.0	102.0	25.0	20.22	16.7
20	3/4"	80.0	93.0	11.0	-	-	-	-	119.0	34.0	27.5	20.0	-	-	20.22	-
25	1"	80.0	94.0	12.0	129.0	50.5	43.5	22.6	129.0	50.5	43.5	26.0	114.0	50.5	43.5	22.2
40	1 1/2"	114.0	116.0	19.0	161.0	50.5	43.5	35.6	161.0	50.5	43.5	38.0	140.0	50.5	43.5	34.9
50	2"	114.0	133.0	25.0	192.0	64.0	56.5	48.6	192.0	64.0	56.5	50.0	159.0	64.0	56.5	47.6

**Note**

You can fill out the fields directly in the PDF file before printing out the form.

**Diaphragm valves – request for quotation**

▶ Please fill out and send to your nearest Bürkert facility\* with your inquiry or order

Company	Contact person
Customer no.	Department
Address	Tel./Fax
Postcode/town	E-Mail

= mandatory fields to fill out

Quantity

Required delivery date

**Operating data**

<input checked="" type="checkbox"/> Process medium	<input type="text"/>		
<input checked="" type="checkbox"/> Type of media	<input type="checkbox"/> Liquid	<input type="checkbox"/> Steam	<input type="checkbox"/> Gas
<input checked="" type="checkbox"/> Flow rate (Q, Q <sub>N</sub> , W) <sup>1)</sup>	<input type="text"/> nominal	<input type="text"/> unit	
<input checked="" type="checkbox"/> Temperature at valve inlet	<input type="text"/>	<input type="text"/>	
<input checked="" type="checkbox"/> Absolute pressure at valve inlet	<input type="text"/>	<input type="text"/>	
<b>Steam sterilisation</b>	temperature	<input type="text"/>	

<sup>1)</sup> standard unit:  
Liquid Q = m<sup>3</sup>/h;  
Steam W = kg/h;  
Gas Q<sub>N</sub> = Nm<sup>3</sup>/h

**Valve features**

**Specification key**

automatically transferred from next page

**3233-2-0**

Surface finish (if not standard)

internal  μm

external  μm

**Certifications**

- Attestation of compliance with the order EN-ISO 10204 2.1 (Item-No. 440 788)
- Test report EN-ISO 10204 2.2 (Item-No. 803 722)
- Certification of Conformity for Raw Material EN-ISO 10204 3.1 (Item-No. 803 723)
- Certification of Conformity for the Surface Quality DIN4762-DIN4768-ISO/4287/1
- Certification of Conformity for Pickling and Electropolishing Processes
- FDA and USP compliance
- 3A certificate

**Comment / sketch**


DTS 1000011005 EN Version: L Status: RL (released | freigegeben | validé) printed: 18.08.2011

\* To find your nearest Bürkert facility, click on the orange box →

[www.burkert.com](http://www.burkert.com)

Valve features

Example

15 AB VG SA40 D050 NO16

Specification key

ORIFICE [mm] (diaphragm)

04
06
08
10
15
20
25
32
40
50

SEAL MATERIAL

AB	EPDM in food quality
EA	PTFE
FF	FKM
EU	advanced PTFE/EPDM in two pieces

BODY MATERIAL

Standard	VG	Cast stainless steel 316L/1.4435
----------	----	----------------------------------

VARIABLE CODES

Surface finish internal	
NO06	Mechanical polished Ra=0.8 µm
NO16	Electro polished Ra=0.6 µm

ACTUATOR VERSION

D050	Top and handwheel PPS
D051	Top stainless steel, handwheel PPS
D052	Top and handwheel stainless steel



PORT CONNECTION

Weld end

Orifice [mm]	EN ISO 1127/ISO 4200	SMS 3008	DIN 11850				ASME BPE	JIS Sanitary	JIS Utility
			Reihe 0	Series 1	Series 2	BS 4825			
4			SC40=6x1.0						
6			SC41=8x1.0						
8	SA40=13.5x1.6		SC42=10x1.0			SODB=6.35x1.2	SA90=6.35x0.89	SA70=13.8x1.65	
10	SA41=17.2x1.6			SF40=12x1.0	SD40=13x1.5	SODC=9.53x1.2	SA91=9.53x0.89	SA71=17.3x1.65	
15	SA42=21.3x1.6			SF41=18x1.0	SD42=19x1.5	SODD=12.7x1.2	SA92=12.7x1.65	SA72=21.7x2.1	
20	SA43=26.9x1.6			SF42=22x1.0	SD43=23x1.5	SODE=19.05x1.2	SA93=19.05x1.65	SA76=27.2x2.1	
25	SA44=33.7x2.0	SA60=25.0x1.2		SF43=28x1.0	SD44=29x1.5	SODF=25.4x1.65	SODF=25.4x1.65	SA73=25.4x1.2	
32	SA45=42.4x2.0			SF44=34x1.0	SD45=35x1.5			SA81=34x2.0	
40	SA46=48.3x2.0	SA62=38.0x1.2		SF45=40x1.0	SD46=41x1.5	SODH=38.1x1.65	SODH=38.1x1.65	SA74=38.1x1.2	
50	SA47=60.3x2.0	SA63=51.0x1.2		SF46=52x1.0	SD47=53x1.5	SODI=50.8x1.65	SODI=50.8x1.65	SA75=50.8x1.5	

Clamp

Orifice [mm]	ISO 2852 / SMS 3017	BS4825	DIN 32676
8	TC51=Clamp 34 - for tube ISO 4200	TG41=Clamp 25 - Tube 9.53x1.2	
10	TC41=Clamp 34 - for tube ISO 4200	TH42=Clamp 25 - Tube 12.7x1.2	TD41=Clamp 34 - Tube 13x1.5
15	TC42=Clamp 34 - for tube ISO 4200	TH43=Clamp 25 - Tube 19.05x1.2	TD42=Clamp 34 - Tube 19x1.5
20	TC43=Clamp 50.5 - for tube ISO 4200		TD43=Clamp 34 - Tube 23x1.5
25	TC44=Clamp 50.5 - for tube ISO 4200	TG44=Clamp 50.5 - Tube 25.4x1.65	TD44=Clamp 50.5 - Tube 29x1.5
40	TC46=Clamp 64 - for tube ISO 4200	TG45=Clamp 50.5 - Tube 38.1x1.65	TD46=Clamp 50.5 - Tube 41x1.5
50	TC47=Clamp 77.5 - for tube ISO 4200	TG46=Clamp 64 - Tube 50.8x1.65	TD47=Clamp 64 - Tube 53x1.5

In case of special application conditions, please consult for advice.

Subject to alteration.  
© Christian Bürkert GmbH & Co. KG

1107/9\_EU-en\_00891702