

AIRLOADED RATIO PRESSURE REGULATOR

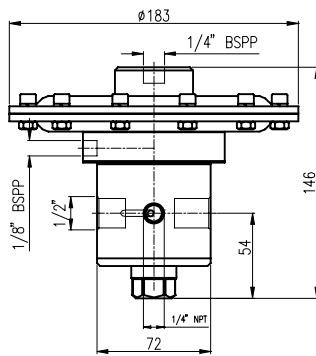
SELF VENTING • REMOTE CONTROL • HIGH PRESSURE



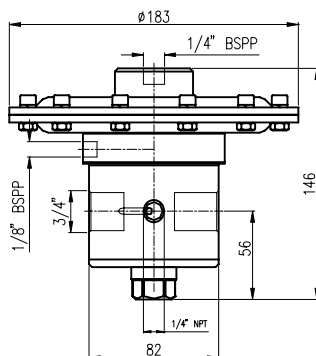
A ratio regulator is a dome loaded pressure regulator. The pilot pressure is usually a 0 - 6 bar signal. Whereas in a true dome loaded regulator the ratio between pilot (=dome) pressure and outlet pressure is 1:1, the ratio in this regulator can be almost anything.

MAIN FEATURES

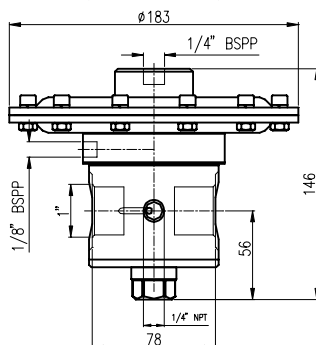
- ss 316L
- balanced valve
- Cv 1.95
- diaphragm or piston sensing
- bubble tight shut-off
- self-venting
- design according to EN 12516
- delivery according to PED



RA4



RA6



RA8

CHARACTERISTICS

Inlet pressure : 400 bar
 Outlet range : 0 - 400 bar
 Pilot pressure : 0 - 10 bar
 Ratios : 15, 40, 70
 Seat diameter: : 10 mm
 • Reliefvalve : 4 mm
 Cv (Kv) : : 1.95 (1.66)*

Materials:

- Body & Trim : ss 316L
- Springhousing : ss 316L
- Seat insert : pctfe
- Seals & Diaphragm : elastomer

Connections:

- Line : bspp, npt, flanges to DIN / ANSI B16.5

- Dome : 1/4" npt
- Vent : 1/8" npt
- Gaugeport : 1/4" npt
- Weight : 5.6 kg (without flanges)
- Temperature range : -20°C to +80 °C *

PNEUMATIC ACTUATION

- By springloaded regulator or proportional regulator.

OPTIONS

- Larger sizes available on request with specific ratio's.

CLEANING

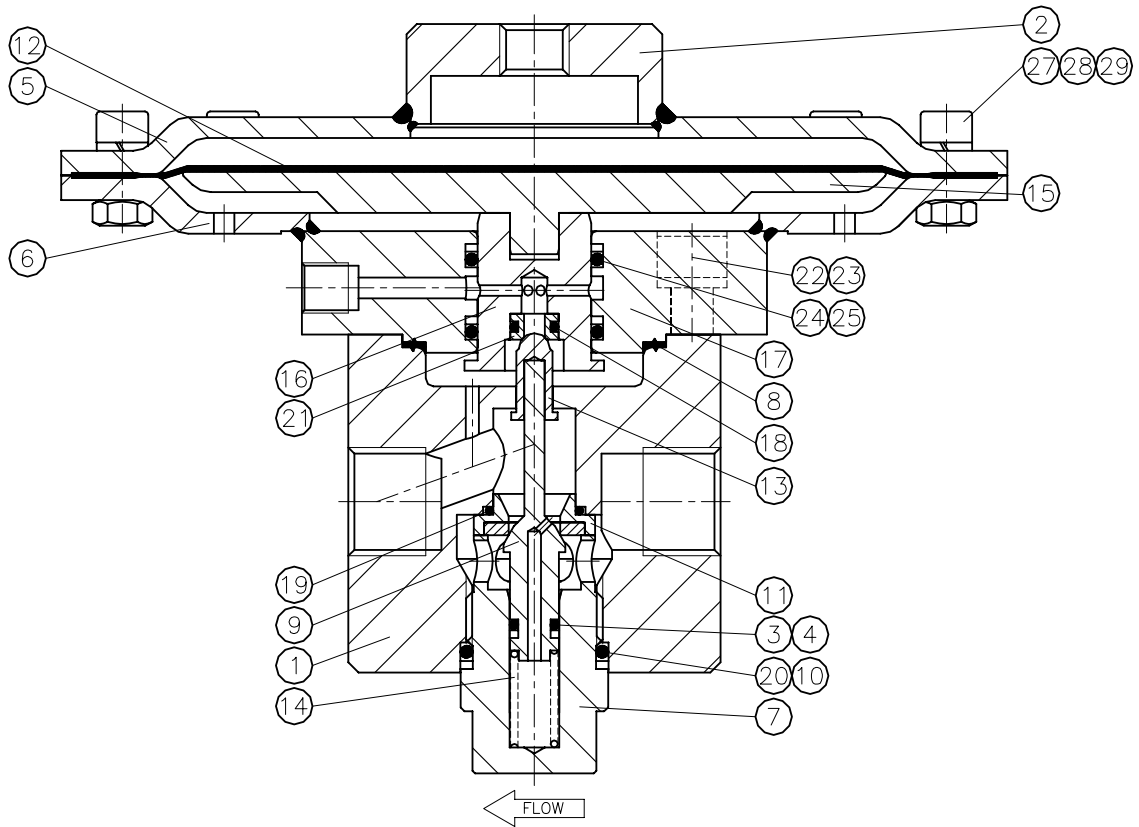
This regulator is ultrasonically cleaned and degreased. Oxygen cleaning based on ASTM-G93 Level C/ CGA 4.1 (optional).

Do not use teflon tape or anaerobic sealing compounds on the bspp threads.

* Actual range depends on choice of seat- and seal material.



Telephone (+)31(0)252 620005
 Fax (+)31(0)252 620527
 info@rhps.nl
 www.rhps.nl



GAUGEPORT(S)

standard:



options:



GN2
(not in combination with flanges)



GN4



GN5
(not in combination with flanges)

ORDERING INFORMATION

Example: RAB4-02-NNK-15

RA		B		4		- 02		- N		N		K		- 15	
serie	inlet	connection		material		o-rings		dia-phragm		seat		ratio		options	
RA	= 400 bar	B = bspp N = npt FA = ansi flanges* FD = din flanges*	4 = 1/2" 6 = 3/4" 8 = 1"	02 = ss316L	N = nitrile E = epdm V = viton	N = nitrile E = epdm V = viton	K = ptcfe P = peek	15 = 1:15 40 = 1:40 70 = 1:70	G* = gauge port						

When placing an order please advise full process data.

Due to continuous development of our product range, we reserve the right to alter the dimensions and information contained in this leaflet as required. RHPs may suggest certain materials for certain applications. These suggestions are based on compatibility information provided by material suppliers or on previous experience. However, RHPs does not guarantee the material to be compatible with a specific media, this will be the sole responsibility of the user.

1-1-2008



Telefoon (+)31(0)252 620005
 Fax (+)31(0)252 620527
 info@rhps.nl
 www.rhps.nl