

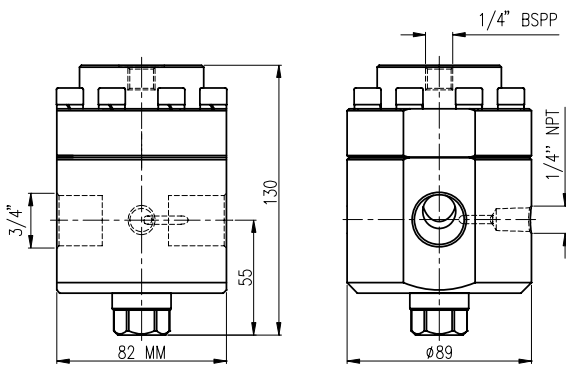
DOMELOADED PRESSURE REGULATOR RD(H)6

GASES • LIQUIDS • ACIDS • OILS

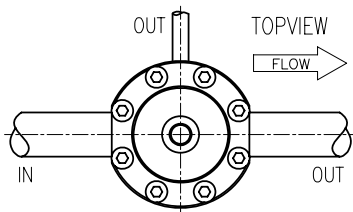


MAIN FEATURES

- ss 316L
- balanced valve
- Cv 1.95
- bubble tight shut-off
- diaphragm sensing
- 1/4" npt outlet gaugeport
- choice of o-ring materials
- design according to EN 12516
- delivery according to PED



PORTING STYLE



CHARACTERISTICS

- | | |
|-----------------------------|--|
| Inlet pressure | : 70 bar, 400 bar |
| Outlet ranges | : 0 – 70 bar, 0 – 400 bar |
| Ratio dome / outletpressure | : 1:1 |
| Seat diameter | : 10 mm |
| Cv (Kv) | : 1.95 (1.66) |
| Materials: | |
| • Body & Trim | : ss 316L, brass |
| • Dome | : ss 316L |
| • Seat insert | : RD6 : elastomer
RDH6 : pctfe, peek |
| • Seals | : elastomer |
| Connections: | |
| • Line | : 3/4" bspp, npt,
flanges to DIN / ANSI B16.5 |
| • Dome | : 1/4" bspp, npt |
| • Outlet gauge | : 1/4" npt |
| Weight | : 4 kg(without flanges) |
| Temperature range | : -20°C to +80 °C * |

CLEANING

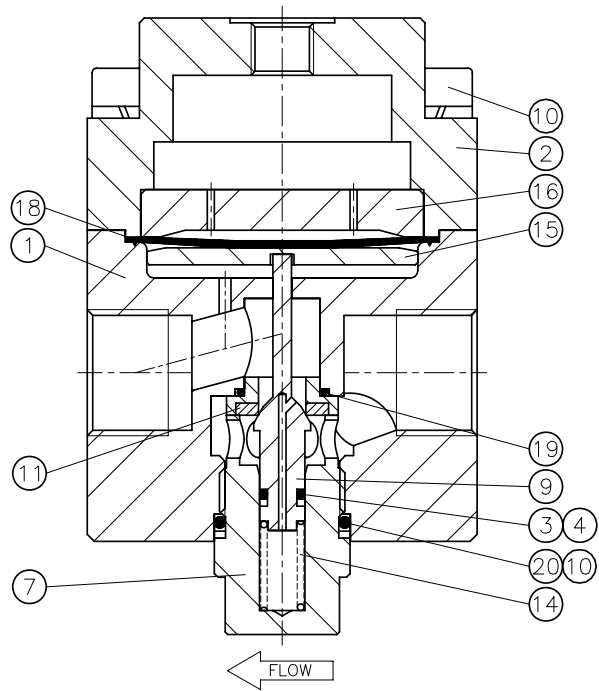
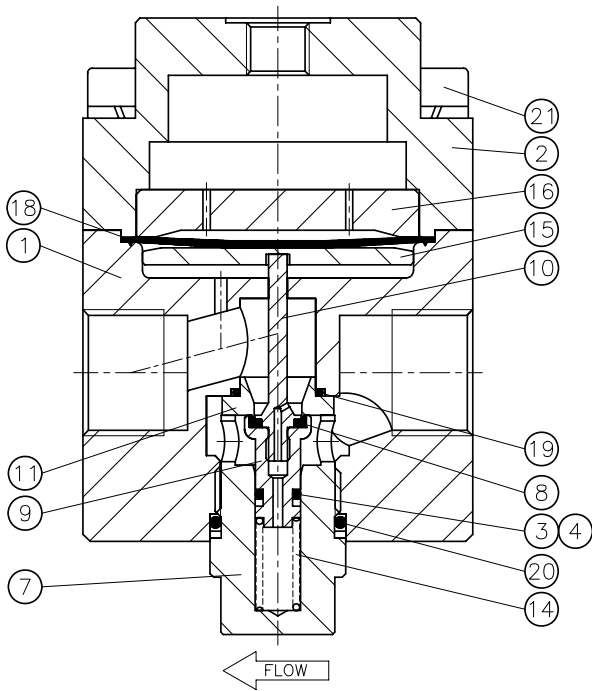
This regulator is ultrasonically cleaned and degreased. Oxygen cleaning based on ASTM-G93 Level C / CGA 4.1 (optional).

Do not use teflon tape or anaerobic sealing compounds on the bspp threads.

*Actual range depends on choice of seat- and seal material.



Telefoon (+)31(0)252 620005
Fax (+)31(0)252 620527
info@rhps.nl
www.rhps.nl



GAUGEPORT(S)

standard:



options:



GN2
(not in combination with flanges)



GN4



GN5
(not in combination with flanges)

ORDERING INFORMATION

example: RDHB6-02-NNK

RDH	B6	- 02	- N	N	K		
serie	inlet	connection	material	o-rings	dia-phragm	seat	options
RD RDH	= 70 bar = 400 bar	B6 = 3/4" bspp N6 = 3/4" npt FA6 = 3/4" ansi flanges* FD6 = DN20 din flanges* * advise rating Flanges only on stainless steel regulators.	02 = ss316L 07 = brass (high tensile)	N = nitrile E = epdm V = viton	N = nitrile E = epdm V = viton	RD: N = nitrile E = epdm V = viton RDH : K = pctfe P = peek	G* = gauge port PR = pilot regulator

When placing an order please advise full process data.

Due to continuous development of our product range, we reserve the right to alter the dimensions and information contained in this leaflet as required. RHPS may suggest certain materials for certain applications. These suggestions are based on compatibility information provided by material suppliers or on previous experience. However, RHPS does not guarantee the material to be compatible with a specific media, this will be the sole responsibility of the user. 1-1-2008



Telefoon (+)31(0)252 620005
Fax (+)31(0)252 620527
info@rhps.nl
www.rhps.nl