

DOMELOADED PRESSURE REGULATOR RD(H)10

HIGH FLOW • BALANCED VALVE • SS316L

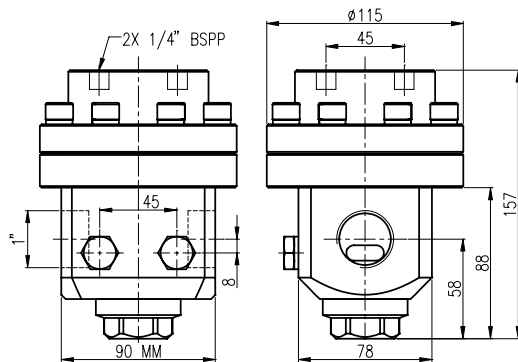


MAIN FEATURES

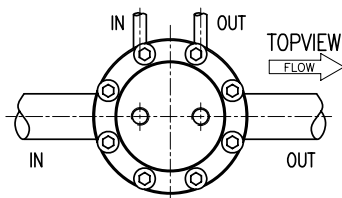
- ss 316L
- balanced valve
- diaphragm sensing
- Cv 3.84
- bubble tight shut off
- large dome for improved stability
- design according to EN 12516
- delivery according to PED

CHARACTERISTICS

- | | |
|-----------------------------|---|
| Inlet pressure | : 70 bar, 400 bar |
| Outlet ranges | : 0 – 70 bar, 0 – 250 bar |
| Ratio dome / outletpressure | : 1:1 |
| Seat diameter | : 14 mm |
| Cv (Kv) | : 3.84 (3.28) |
| Materials: | |
| • Body, Dome, Trim | : ss 316L |
| • Seat insert | : RD10: elastomer
RDH10: pctfe, peek |
| • Seals, Diaphragm | : elastomer |
| Dependency | : 0,8 % of inlet pressure drop |
| Connections: | |
| • Line | : 1" bspp, npt,
flanges to DIN/ ANSI B16.5 |
| • Dome | : 2x 1/4" bspp |
| • Gauge-, Pilotports | : 2x 1/4" bspp, npt |
| Weight | : 6 kg (without flanges) |
| Temperature range | : -20°C to +80°C |



PORTING STYLE



IMPROVED PERFORMANCE

To enhance the performance we advise to use:

- a [pilot regulator](#)
- an [external feedback](#) (when $P_2 \leq 20$ bar)

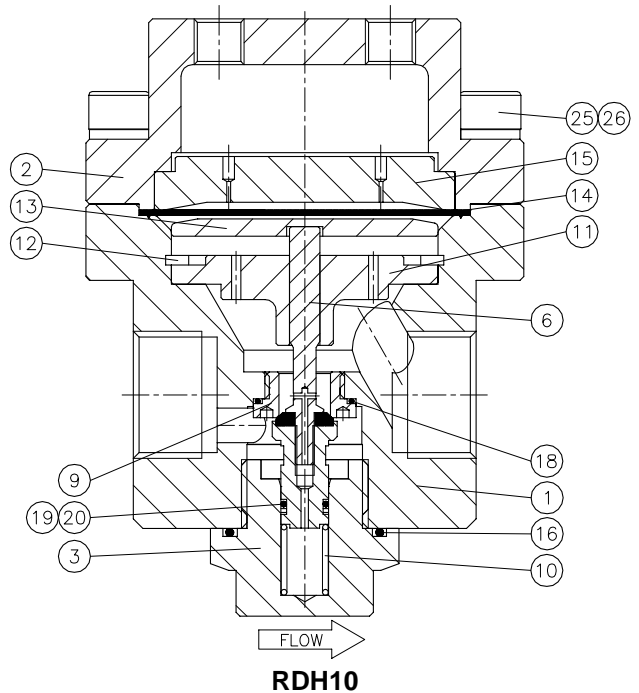
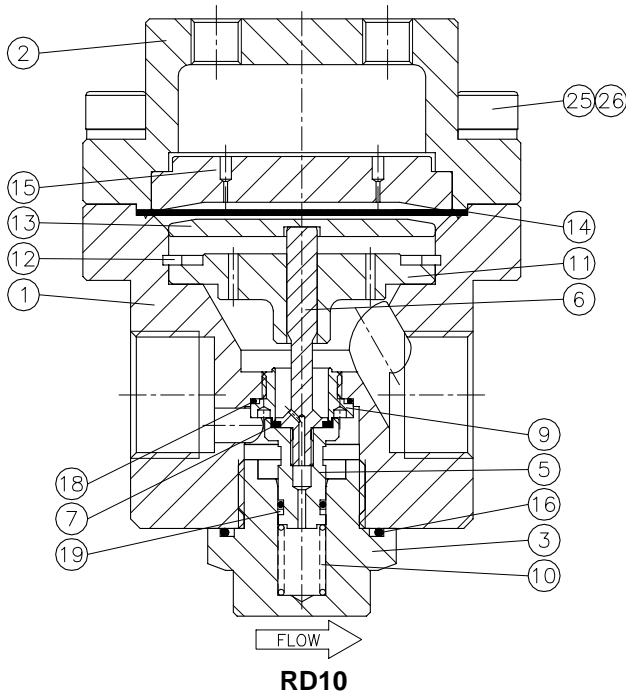
CLEANING

This regulator is ultrasonically cleaned and degreased. Oxygen cleaning based on ASTM-G93 Level C / CGA 4.1 (optional).

Do not use teflon tape or anaerobic sealing compounds on the bspp threads.



Telefoon (+)31(0)252 620005
Fax (+)31(0)252 620527
info@rhps.nl
www.rhps.nl



GAUGEPORTS

If gauges are required use gauge port(s) of pilot regulator.

If no pilot regulator is installed use pilot connections as gauge port.

ORDERING INFORMATION

example: RDHB10-02-NNK-EF

RDH		B10	- 02	- N	N	K	- EF
serie	inlet	connection	material	o-rings	dia-phragm	seat	options
RD	= 70 bar	B10 = 1" bspp	02 = ss316L	N = nitrile	N = nitrile	RD:	EF = external feedback
RDH	= 400 bar	N10 = 1" fnpt		E = epdm	E = epdm	N = nitrile	If chosen for this option, the outlet pressure must be fed back. Failing to do so may lead to damage of the regulator.
		FA10 = 1" ansi flanges *		V = viton	V = viton	E = epdm	P2 20 bar max
		FD10 = DN25 din flanges *				V = viton	
		* advise rating				RDH:	G* = gauge port
						K = pctfe	PR = pilot regulator
						P = peek	

When placing an order please advise full process data.

Due to continuous development of our product range, we reserve the right to alter the dimensions and information contained in this leaflet as required. RHPS may suggest certain materials for certain applications. These suggestions are based on compatibility information provided by material suppliers or on previous experience. However, RHPS does not guarantee the material to be compatible with a specific media, this will be the sole responsibility of the user.

1-1-2008



Telephone (+)31(0)252 620005
 Fax (+)31(0)252 620527
 info@rhps.nl
 www.rhps.nl