

SPRINGLOADED BACKPRESSURE REGULATOR BS(H)6

GASES • WATER • ACIDS • OILS



MAIN FEATURES

- ss 316L
- diaphragm (0-14 bar) or piston sensing (0-360 bar)
- 9 set pressure ranges
- bubble tight shut-off
- choice of o-ring materials
- design according to EN 12516
- delivery according to PED

CHARACTERISTICS

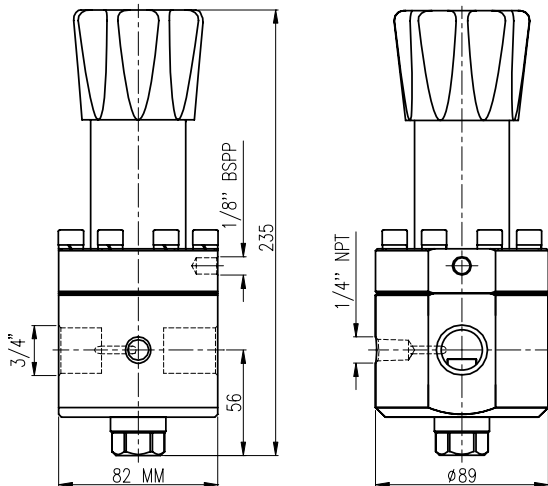
Max. pressure	: 70 bar, 400 bar
Set pressure range	: 0 – 360 bar
Seat diameter:	: 5 mm : range 80-360 bar : 10 mm: range 0-80 bar
Cv (Kv):	: 5 mm : 0.49 (0.42) : 10 mm: 1.95 (1.66)

Materials:

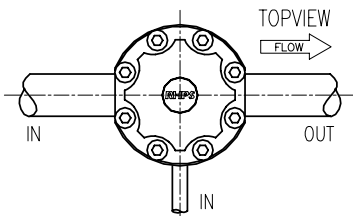
- Body & Trim : ss 316L, brass
- Springhousing : ss 316L
- Seat : pctfe, peek
- Seals & Diaphragm : elastomer

Connections:

- Line : 3/4" bspp, npt
flanges to DIN/ANSI B16.5
- Gauge port : 1/4" npt
- Weight : 4,5 kg (without flanges)
- Temperature range : -20°C to + 80 °C *



PORTING STYLE



CLEANING

This regulator is ultrasonically cleaned and degreased. Oxygen cleaning based on ASTM-G93 Level C / CGA 4.1 (optional).

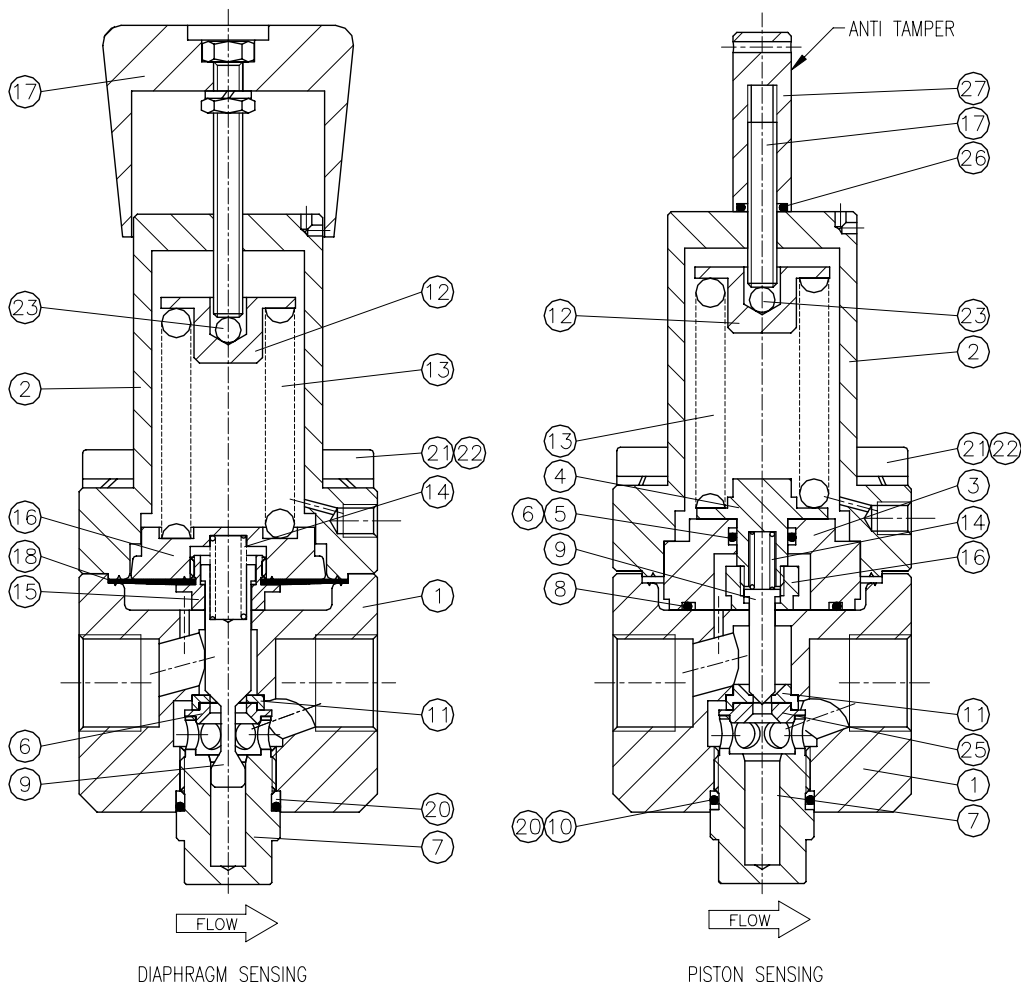
Do not use teflon tape or anaerobic sealing compounds on the bspp threads.

This is not a safety valve!

* Actual range depends on choice of seat- and seal material.



Telephone (+31(0)252 620005
Fax (+31(0)252 620527
info@rhps.nl
www.rhps.nl



GAUGEPORT(S)

standard:



options:



GN2
(not in combination with flanges)



GN1



GN5
(not in combination with flanges)

ORDERING INFORMATION

example: BSHB6-02-5-NNK-A

BSH		B6	- 02	- 5	- N	N	K	- A
serie	inlet	connection	material	outlet range	o-rings	dia-phragm	seat	options
BS BSH	= 70 bar = 400 bar	B6 = 3/4" bsp N6 = 3/4" npt FA6 = 3/4" ansi flanges* FD6 = DN20 din flanges*	02 = ss316L 07 = brass (high tensile)	Diaphragm sensing: 1 = 0 - 3 bar 2 = 0 - 7 bar 3 = 0 - 14 bar ----- Piston sensing: 4 = 0 - 28 bar 5 = 0 - 40 bar 6 = 0 - 80 bar 7 = 0 - 150 bar 9 = 0 - 280 bar 11 = 0 - 360 bar	N = nitrile E = epdm V = viton	N = nitrile E = epdm V = viton	K = pctfe P = peek	A = anti-tamper G* = gauge port
		* advise rating Flanges only on stainless steel regulators				piston o-rings		
						N = nitrile E = epdm V = viton		

When placing an order please advise full process data.

Due to continuous development of our product range, we reserve the right to alter the dimensions and information contained in this leaflet as required. RHPS may suggest certain materials for certain applications. These suggestions are based on compatibility information provided by material suppliers or on previous experience. However, RHPS does not guarantee the material to be compatible with a specific media, this will be the sole responsibility of the user.

1-1-2008



Telephone (+31(0)252 620005
Fax (+31(0)252 620527
info@rhps.nl
www.rhps.nl